

POWERMATIC®

#1792014S, Stand for PM2014 Lathe Assembly instructions

⚠ WARNING – To reduce the risk of serious injury:

- Read and understand all instructions and warnings in your lathe manual before operating lathe on this stand.
- Replace warning labels if they become obscured or removed.
- Always wear eye protection when operating a lathe.
- Make sure all fasteners on stand, and fasteners holding lathe to stand, are securely tightened.
- Failure to comply with the above warnings may result in personal injury, or damage to machine.

⚠ WARNING: This product can expose you to chemicals including lead and cadmium which are known to the State of California to cause cancer and birth defects or other reproductive harm, and phthalates which are known to the State of California to cause birth defects or other reproductive harm. For more information go to <http://www.p65warnings.ca.gov>.

⚠ WARNING: Drilling, sawing, sanding or machining wood products generates wood dust and other substances known to the State of California to cause cancer. Avoid inhaling dust generated from wood products or use a dust mask or other safeguards for personal protection. Wood products emit chemicals known to the State of California to cause birth defects or other reproductive harm. For more information go to <http://www.p65warnings.ca.gov/wood>.

Contents of container

- 2 Legs
- 2 Upper brackets
- 1 Cross bar
- 4 Levelers with hex nuts
- 1 Hardware package
- 1 Instruction sheet
- 1 Product registration card

Tools required for assembly

- 9/16in. (14mm) wrench – for levelers and stand assembly
- 1/2in. (12mm) wrench – for mounting lathe

Assembly

Refer to parts breakdown for any assembly clarification. Numbers in parentheses refer to index numbers in parts list.

1. Install two levelers (#11) into each leg. Tighten hex nut against stand.
2. Set legs upright and install upper brackets (#1) to desired height. Insert 1-in. long screws through bracket holes into threaded inserts in legs.
3. Install cross bar (#3) to holes just below the upper bracket edge.
4. Make sure all screws are tight. Turn levelers as needed to achieve level of the stand, then tighten hex nuts against stand.
5. **Unplug lathe from power**, and rest lathe upon stand. Orient it so that cross bar (#3) will be at rear of stand.

6. Slide lathe until one end projects over edge of stand. See Figure 1a. Insert 5/8-inch long screws, two lock washers and two flat washers into the two outer holes and screw them part-way in with your fingers.
7. Slide lathe opposite direction until it projects over opposite edge of stand (Figure 1b). Insert two screws with lock washers and flat washers in the same manner.
8. Slide lathe to center it over stand and align the four remaining holes. Insert 5/8-inch long screws, two lock washers and two flat washers.
9. Firmly tighten all 8 screws with a wrench.

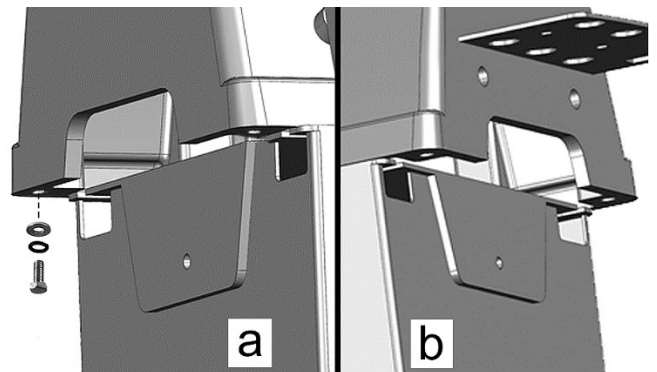


Figure 1

Powermatic

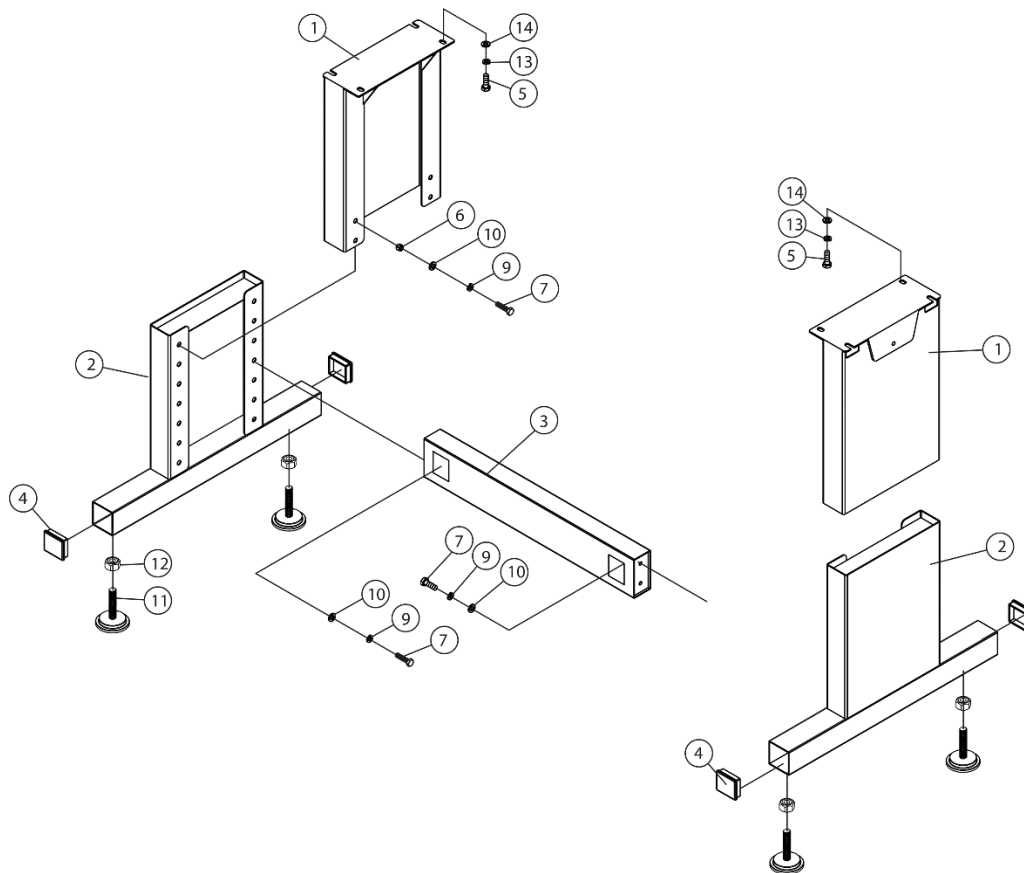
427 New Sanford Road
LaVergne, Tennessee 37086
Ph.: 800-274-6848
www.powermatic.com

Part No. M-1792014S

Edition 1 11/2019

Copyright © 2019 Powermatic, a division of JPW Industries

Parts Breakdown for 1792014S Stand



Index No.	Part No.	Description	Size	Qty
	1792014S	Stand Assembly		1
1	PM2014-401	Upper Bracket		2
2	PM2014-402	Leg		2
3	PM2014-403	Cross Bar		1
4	JWL1221VSS-103	Cover		4
5	TS-0051021	Hex Cap Screw *	5/16"-18x5/8"	8
6		Threaded Insert	3/8"-16	14
7	TS-0060051	Hex Cap Screw *	3/8"-16x1"	12
9	TS-0720091	Lock Washer *	3/8"	12
10	TS-0680042	Flat Washer *	3/8"	12
11	JWL1642-206	Leveler		4
12	TS-0570031	Hex Nut	3/8"-16	4
13	TS-0720081	Lock Washer *	5/16"	8
14	TS-0680031	Flat Washer *	5/16"	14
	1792014S-HP	Hardware package (items with *)		

Some parts are shown for reference only, and may not be available individually.

Specifications

Stock number	1792014S
Main material	steel plate and tubing
Net weight	25 kg (55 lbs.)
Shipping weight	29 kg (63.8 lbs.)

Specifications were current at time of publication, but because of our policy of continuous improvement, Powermatic reserves the right to change specifications at any time and without prior notice, without incurring obligation.