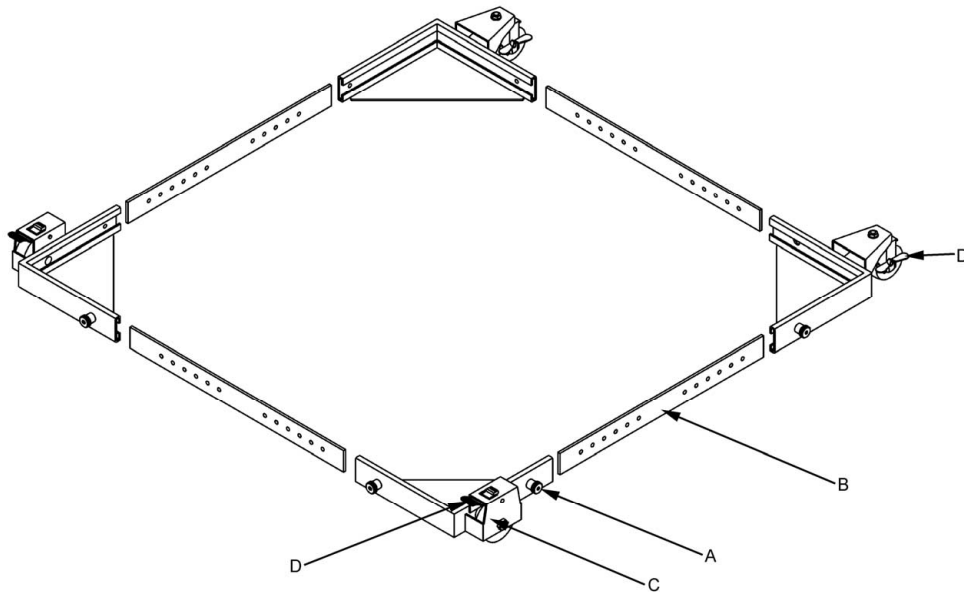




Instruction Sheet

JMB-UMB-HD Universal Mobile Base



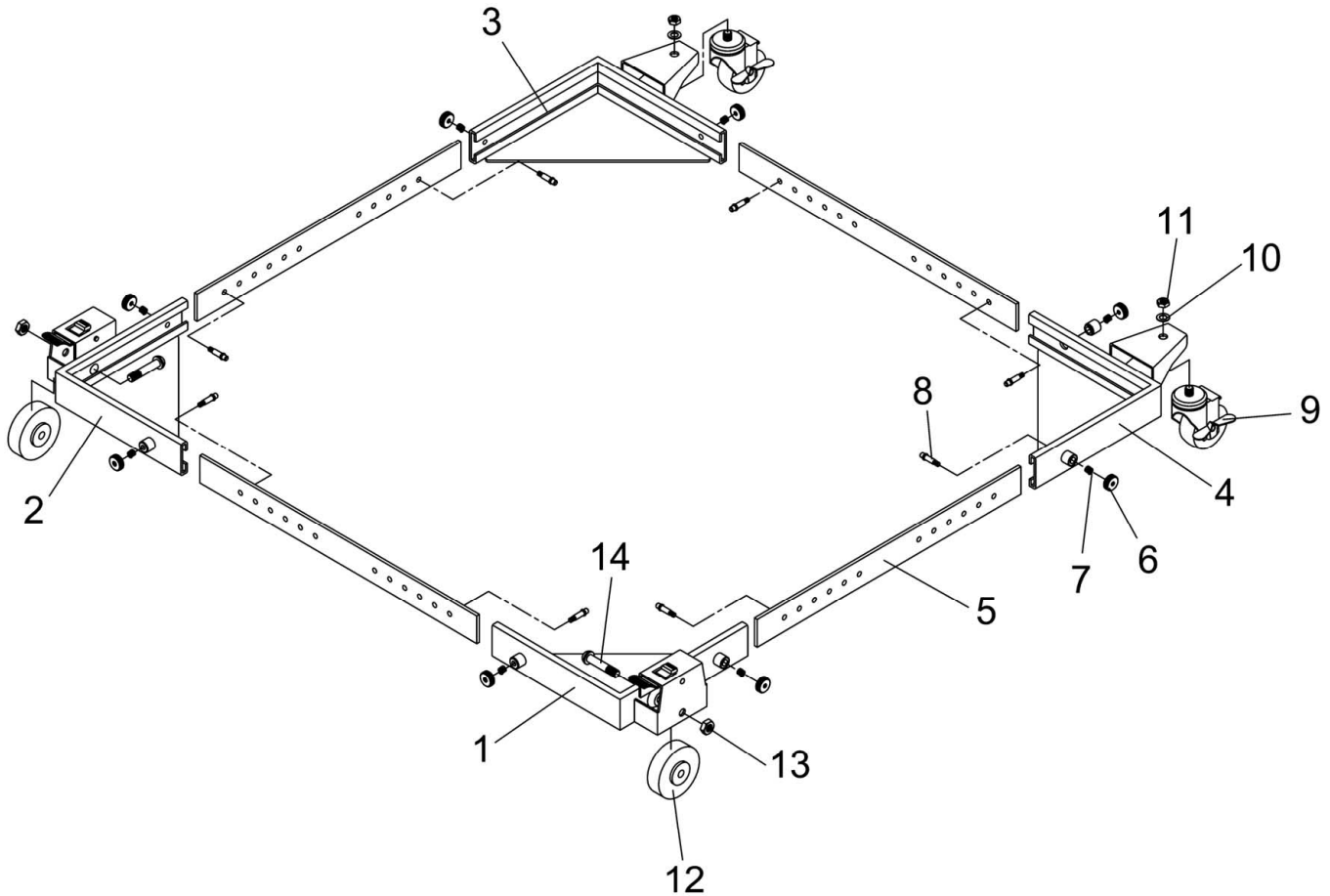
WARNING All mobile castors should be locked unless the machine is being moved. Do not move the mobile base while the machine has power, or is plugged in. All four mobile base castors should always be locked while the machine is being used.

1. Pull out the spring-loaded knob (A) and slide the side adjusting plate (B) into the castor bracket assembly (C).
2. Locate spring-loaded pin into one of the indexing holes found in the side adjusting plate.
3. Position the machine so that it rests evenly on the corner brackets.
4. Lock four castors by stepping on the brake pedals (D). Unlock by flipping the pedal up with your foot.

WALTER MEIER (Manufacturing) Inc.
427 New Sanford Road
LaVergne, Tennessee 37086
Ph.: 800-274-6848
www.waltermeier.com

Part No. M-708119
Revision B 05/2010
Copyright © 2010 Walter Meier (Manufacturing) Inc.

JMB-UMB-HD Parts Breakdown



Part's List for the JMB-UMB-HD Universal Mobile Base

Index No.	Part No.	Description	Size	Qty.
1.....	JMBUMB-01HD	Fixed Castor Bracket - Right.....		1
2.....	JMBUMB-02HD	Fixed Castor Bracket - Left.....		1
3.....	JMBUMB-03HD	Swivel Castor Bracket - Left.....		1
4.....	JMBUMB-04HD	Swivel Castor Bracket - Right.....		1
5.....	JMBUMB-05HD	Side Adjusting Plate.....		4
	708116	Side Adjusting Plate.....	36"	
	708117	Side Adjusting Plate.....	50"	
6.....	JMBUMB-06	Knob.....		8
7.....	JMBUMB-07	Spring.....		8
8.....	JMBUMB-08	Index Pin.....		8
9.....	JMBUMB-09HD	Swivel Castor.....		2
10.....	TS-0720111	Lock Washer.....	1/2"	2
11.....	JMBUMB-11HD	Hex Nut.....	1/2"-12UNC	2
12.....	JMBUMB-12HD	Fixed Wheel.....		2
13.....	TS-0640091	Lock Nut.....	3/8"-16UNC	2
14.....	JMBUMB-14HD	Bolt (Special).....	3/8" x 2-9/16"	2