

# POWERMATIC®

## Instructions and Parts Manual PM1900 Dust Collector



*PM1900 with Filter Bag Kit (1791075BK)*



*PM1900 with Canister Kit (1791075CK)*

**WALTER MEIER (Manufacturing), Inc.**

427 New Sanford Road  
LaVergne, TN 37086  
Ph.: 800-274-6848  
www.powermatic.com



**Part No. M-1791075**

Revision C 12/2010

Copyright © 2010 Walter Meier (Manufacturing), Inc.

# Warranty and Service



Walter Meier (Manufacturing) Inc., warrants every product it sells. If one of our tools needs service or repair, one of our Authorized Service Centers located throughout the United States can give you quick service. In most cases, any of these Walter Meier Authorized Service Centers can authorize warranty repair, assist you in obtaining parts, or perform routine maintenance and major repair on your POWERMATIC® tools. For the name of an Authorized Service Center in your area call 1-800-274-6848.

## MORE INFORMATION

Walter Meier is consistently adding new products to the line. For complete, up-to-date product information, check with your local Walter Meier distributor, or visit [waltermeier.com](http://waltermeier.com).

## WARRANTY

POWERMATIC products carry a limited warranty which varies in duration based upon the product.

	<b>Industrial Products</b> Horizontal Panel Saws Cut Off Saws Rip Saws Bandsaws Jointers Planers Oscillating Edge Sanders	Belt Sanders Shapers Power Feeders Mortisers Dovetailers		<b>Non-Industrial Products</b> Tablesaws Vertical Panel Saws Bandsaws Jointers Planers Planer/Molder Dust Collection	Disc Sanders Edge Sanders Drum Sanders Shapers Drill Press's Mortisers Dovetailers
---	--	--	--	---	--

Warranty reverts to 1 Year if above products are used for commercial, industrial or educational purposes

## WHAT IS COVERED?

This warranty covers any defects in workmanship or materials subject to the exceptions stated below. Cutting tools, abrasives and other consumables are excluded from warranty coverage.

## WHO IS COVERED?

This warranty covers only the initial purchaser of the product.

## WHAT IS THE PERIOD OF COVERAGE?

The general POWERMATIC warranty lasts for the time period specified in the product literature of each product.

## WHAT IS NOT COVERED?

The Five Year Warranty does not cover products used for commercial, industrial or educational purposes. Products with a Five Year Warranty that are used for commercial, industrial or education purposes revert to a One Year Warranty. This warranty does not cover defects due directly or indirectly to misuse, abuse, negligence or accidents, normal wear-and-tear, improper repair or alterations, or lack of maintenance.

## HOW TO GET SERVICE

The product or part must be returned for examination, postage prepaid, to a location designated by us. For the name of the location nearest you, please call 1-800-274-6848.

You must provide proof of initial purchase date and an explanation of the complaint must accompany the merchandise. If our inspection discloses a defect, we will repair or replace the product, or refund the purchase price, at our option.

We will return the repaired product or replacement at our expense unless it is determined by us that there is no defect, or that the defect resulted from causes not within the scope of our warranty in which case we will, at your direction, dispose of or return the product. In the event you choose to have the product returned, you will be responsible for the handling and shipping costs of the return.

## HOW STATE LAW APPLIES

This warranty gives you specific legal rights; you may also have other rights which vary from state to state.

## LIMITATIONS ON THIS WARRANTY

WALTER MEIER (MANUFACTURING) INC., LIMITS ALL IMPLIED WARRANTIES TO THE PERIOD OF THE LIMITED WARRANTY FOR EACH PRODUCT. EXCEPT AS STATED HEREIN, ANY IMPLIED WARRANTIES OR MERCHANTABILITY AND FITNESS ARE EXCLUDED. SOME STATES DO NOT ALLOW LIMITATIONS ON HOW LONG THE IMPLIED WARRANTY LASTS, SO THE ABOVE LIMITATION MAY NOT APPLY TO YOU.

WALTER MEIER SHALL IN NO EVENT BE LIABLE FOR DEATH, INJURIES TO PERSONS OR PROPERTY, OR FOR INCIDENTAL, CONTINGENT, SPECIAL, OR CONSEQUENTIAL DAMAGES ARISING FROM THE USE OF OUR PRODUCTS. SOME STATES DO NOT ALLOW THE EXCLUSION OR LIMITATION OF INCIDENTAL OR CONSEQUENTIAL DAMAGES, SO THE ABOVE LIMITATION OR EXCLUSION MAY NOT APPLY TO YOU.

Walter Meier sells through distributors only. The specifications in Walter Meier catalogs are given as general information and are not binding. Members of Walter Meier reserve the right to effect at any time, without prior notice, those alterations to parts, fittings, and accessory equipment which they may deem necessary for any reason whatsoever.

# Table of Contents

Warranty and Service.....	2
Table of Contents .....	3
Warning .....	4
Introduction .....	6
Specifications .....	6
Unpacking.....	7
Contents of Shipping Carton .....	7
Base Machine Assembly .....	8
Base and Base Extensions .....	8
Casters.....	8
Motor and Impeller Assembly .....	8
Connector Tube and Switch Box .....	8
Collector Housings .....	8
Support Bars.....	8
Handles .....	9
Filter System.....	9
Filter Bag System Assembly .....	10
Canister System Assembly .....	11
Electrical Connections.....	12
Extension Cords.....	12
Operating the Machine .....	12
Setting the Timer (1-Phase Models).....	13
Connecting the Dust Collector to a Machine .....	13
Maintenance .....	13
Cleaning the Filter Bags.....	13
Removing the Collector Bags .....	13
Cleaning the Canister Filters .....	13
Motor.....	13
Replacement Parts .....	14
Breakdown for PM1900 Dust Collector (Base Machine) .....	14
Parts List for PM1900 Dust Collector (Base Machine) .....	15
Parts List and Breakdown for PM1900 Filter Bag System.....	17
Breakdown for PM1900 Canister Filter System.....	18
Parts List for PM1900 Canister Filter System .....	19
Electrical Connections.....	20

# Warnings

1. Read and understand the entire owner's manual before attempting assembly or operation.
2. Read and understand the warnings posted on the machine and in this manual. Failure to comply with all of these warnings may cause serious injury.
3. Replace the warning labels if they become obscured or removed.
4. This dust collector is designed and intended for use by properly trained and experienced personnel only. If you are not familiar with the proper and safe operation of a dust collector, do not use until proper training and knowledge have been obtained.
5. Do not use this dust collector for other than its intended use. If used for other purposes, Walter Meier (Manufacturing) Inc., disclaims any real or implied warranty and holds itself harmless from any injury that may result from that use.
6. Always wear approved safety glasses/face shields while using this dust collector. Everyday eyeglasses only have impact resistant lenses; they are not safety glasses.
7. Keep hair, loose clothing, fingers, and all parts of body away from opening and moving parts.
8. Wear ear protectors (plugs or muffs) during extended periods of operation.
9. Some dust created by power sanding, sawing, grinding, drilling and other construction activities contains chemicals known to cause cancer, birth defects or other reproductive harm. Some examples of these chemicals are:
  - Lead from lead based paint.
  - Crystalline silica from bricks, cement and other masonry products.
  - Arsenic and chromium from chemically treated lumber.Your risk of exposure varies, depending on how often you do this type of work. To reduce your exposure to these chemicals, work in a well-ventilated area and work with approved safety equipment, such as face or dust masks that are specifically designed to filter out microscopic particles.
10. Do not operate this machine while tired or under the influence of drugs, alcohol or any medication.
11. Make certain the switch is in the **OFF** position before connecting the machine to the power supply. Turn off all controls before unplugging.
12. Make certain the machine is properly grounded. Connect to a properly grounded outlet only.
13. Make all machine adjustments or maintenance with the machine unplugged from the power source.
14. Remove adjusting keys and wrenches. Form a habit of checking to see that keys and adjusting wrenches are removed from the machine before turning it on.
15. Keep safety guards in place at all times when the machine is in use. If removed for maintenance purposes, use extreme caution and replace the guards immediately after maintenance is complete.
16. Check damaged parts. Before further use of the machine, a guard or other part that is damaged should be carefully checked to determine that it will operate properly and perform its intended function. Check for alignment of moving parts, binding of moving parts, breakage of parts, mounting and any other conditions that may affect its operation. A guard or other part that is damaged should be properly repaired or replaced.
17. Provide for adequate space surrounding work area and non-glare, overhead lighting.
18. Keep the floor around the machine clean and free of scrap material, oil and grease.
19. Keep visitors a safe distance from the work area. **Keep children away.**

# Warnings

20. Make your workshop child proof with padlocks, master switches or by removing starter keys.
21. Give your work undivided attention. Looking around, carrying on a conversation and “horse-play” are careless acts that can result in serious injury.
22. To reduce the risk of electric shock, do not use outdoors or on wet surfaces.
23. Do not use the dust collector for anything except wood dust. Materials such as liquids, metal shavings, metal dust, screws, glass, plastic or rock can cause sparks and/or damage when coming into contact with any part of the dust collector.
24. Do not pick up anything that is burning or smoking, such as cigarettes, matches or hot ashes.
25. Do not use to pick up flammable or combustible liquids such as gasoline or use in areas where they may be present.
26. Do not pull or carry by cord, use cord as a handle, close a door on cord, or pull cord around sharp edges or corners. Do not run dust collector over cord. Keep cord away from heated surfaces.
27. Do not use this dust collector with a damaged cord or plug.
28. Do not unplug by pulling on cord. To unplug, grasp the plug, not the cord.
29. Do not use without dust bag and/or filters in place.
30. Do not handle plug or machine with wet hands.
31. Do not put any objects into the openings. Do not use with any opening blocked; keep free of dust, lint, hair, and anything that may reduce air flow.
32. Do not operate without hose connected to the inlet. Hazardous moving parts inside. Unplug before removing inlet or inlet guard.
33. Use recommended accessories; improper accessories may be hazardous.
34. Maintain tools with care. Follow instructions for lubricating and changing accessories.
35. Turn off the machine and disconnect from power before cleaning. Use a brush or compressed air to remove chips or debris — do not use your hands.
36. Do not leave the machine when it is plugged in. Unplug from outlet when not in use and before servicing.
37. Do not stand on the machine. Serious injury could occur if the machine tips over.

## **Familiarize yourself with the following safety notices used in this manual:**

**CAUTION** This means that if precautions are not heeded, it may result in minor injury and/or possible machine damage.

**WARNING** This means that if precautions are not heeded, it may result in serious injury or possibly even death.

**- - SAVE THESE INSTRUCTIONS - -**

# Introduction

This manual is provided by Walter Meier (Manufacturing) Inc., covering the safe operation and maintenance procedures for a Powermatic Model PM1900 Dust Collector. This manual contains instructions on installation, safety precautions, general operating procedures, maintenance instructions and parts breakdown. This machine has been designed and constructed to provide years of trouble free operation if used in accordance with instructions set forth in this manual. If there are any questions or comments, please contact your local supplier or Walter Meier; or visit our web site: [www.waltermeier.com](http://www.waltermeier.com).

# Specifications

Model.....	PM1900
Stock Numbers:	
PM1900 (Base Machine A), includes 3HP, 1PH Motor, Remote Control and Magnetic Starter ..	1791075
PM1900 (Base Machine B), includes 3HP, 3PH Motor, 230V/460V, (Pre-wired 230V).....	1791076
PM1900 (Base Machine A) with Canister Filter System.....	1791075CK
PM1900 (Base Machine A) with Filter Bag System .....	1791075BK
PM1900 (Base Machine B) with Canister Filter System.....	1791076CK
PM1900 (Base Machine B) with Filter Bag System .....	1791076BK
Filter Bag System only .....	1791075B
Canister Filter System only .....	1791086
Blower Wheel Diameter.....	14"
Sound Rating at 3 feet .....	86-92 db
Inlet Port Diameter (in.) .....	three at 4" or one at 8"
Air Flow at 8" – Base Machine A and B (CFM) .....	1891
Velocity at 8" – Base Machine A and B (FPM).....	5393.7
Static Pressure (inch of water).....	12.15
Bags and Canister Diameter (in.) .....	20
Filter Bag Length (in.).....	48
Filter Bag Efficiency .....	96% of 30 micron particles
Canister Length (in.) .....	26
Canister Efficiency .....	86% of 1 micron particles; 98% of 2 micron particles
Collector Bag Capacity (cu. ft.) .....	10
Remote Control Type ( <i>1PH unit only</i> ).....	infrared
Overall Dimensions with Filter Bag System (LxWxH)(in.) .....	61 x 30 x 94
Overall Dimensions with Canister System (LxWxH)(in.) .....	61 x 30 x 72
Motor (TEFC) .....	3 HP, 1Ph 230V only or 3 HP, 3Ph, 230V/460V, Pre-wired 230V
Approximate Weight (net/shipping):	
PM1900 with Filter Bag System (lbs.) .....	189/204
PM1900 with Canister System (lbs.) .....	239/254

The above specifications were current at the time this manual was published, but because of our policy of continuous improvement, Walter Meier reserves the right to change specifications at any time and without prior notice, without incurring obligations.

## Unpacking

Remove all contents from the shipping carton and check against the *Contents of Shipping Carton* below to verify that all items have been received.

Report any damage to your distributor.

Do not discard any shipping material until after the dust collector has been assembled and is running properly.

You will also require either the *Filter Bag System* or *Canister Filter System*. These items are packaged separately and are not listed here.

## Contents of Shipping Carton

Refer to Figure 3 to identify items K–Z.

- K Base (1)
- L Base Extension (2)
- M Caster (4)
- N Motor/Impeller Assembly (1)
- O Inlet Guard (1)
- P Inlet Port w/ Cap (1)
- Q Lower Gasket (1)
- R Connector Tube (1)
- S Control Box (1)
- T Upper Gasket (2)
- U Left Housing (1)
- V Right Housing (1)
- W Support Bar (2)
- X Handle (2)
- Y Plate (2)
- Z Socket Head Cap Screw, M8x12 (4)
- Remote Control w/ batteries (*single phase machine only*) (not shown)
- Owner's Manual (not shown)
- Warranty Card (not shown)

### Main Hardware Bag contents (Figure 1):

- A – M8 x 20 Hex Cap Screws (34)\*
- B – M6 x 12 Pan Head Flange Screws (8)\*
- C – 3/16" x 1/2" Pan Head Flange Screw (1)\*
- D – M8 Flat Washers (60)\*
- E – M10 Flat Washers (6)\*
- F – M8 Hex Nuts (30)\*
- G – M8 Lock Washers (4)\*
- H – 3/8" Hex Nuts (4) – *on casters*
- J – M10 Lock Washers (4) – *on casters*

### Cone Assembly and Hardware (Figure 2):

- AA – Support Bracket
- BB – Cone
- CC – M8 x 16 Hex Cap Screws (2)
- DD – M8 Flat Washers (2)
- EE – M8 Hex Nuts (2)
- FF – M 6 x 12 Hex Cap Screws (8)
- GG – M6 Hex Nuts (8)

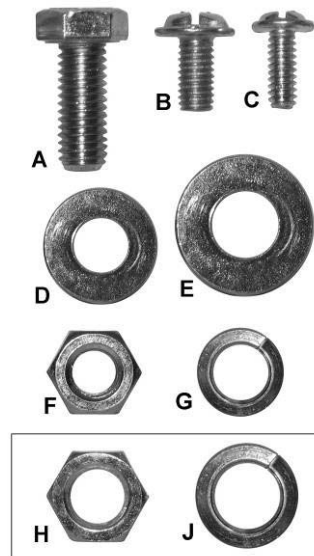


Figure 1: Main Hardware Bag contents

\* A through G comprise PM1900-BMHP Base Machine Hardware Package

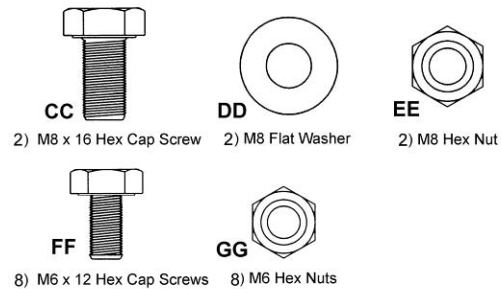
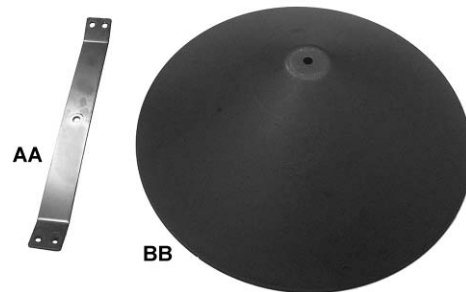


Figure 2: Cone Assembly and Hardware

CC through GG comprise DC1100-HP2 Cone Assembly Hardware Package

### Tools Required for Assembly

- 13mm Wrenches or Sockets
- 14mm Wrench
- #2 Cross Point Screw Driver
- 6mm hex ("Allen") wrench

# Base Machine Assembly

**⚠WARNING** The dust collector must not be connected to the power source during assembly.

All instructions on this page refer to Figure 3.

## Base and Base Extensions

1. Attach the *base extensions* (L) to the *base* (K) by inserting *M8x20 hex head screws* (A) through the mounting holes of the *extension* (L) and *base* (K).
2. Place *M8 flat washers* (D) and *M8 lock washers* (G) on the ends of the *screws* (A) and fasten with *M8 hex nuts* (F), using 13mm wrenches.

## Casters

1. The  $\frac{3}{8}$ " *hex nut* (H) and *M10 lock washer* (J) are pre-assembled to each *caster* (M). For shipping purposes, the lock washer has been placed beneath the hex nut. Remove hex nut and lock washer from the *caster shaft*, re-install the hex nut, then install the lock washer *above* the hex nut, as shown.
2. Install the four *casters* (M) to the underside of the *base* (K) as follows:
3. Thread the *caster shaft* into the threaded hole on the underside of the *base* (K), turn until snug. Tighten the *hex nut* (H) against the base with a 14mm wrench.

## Motor and Impeller Assembly

1. Place the base with casters down on the ground.
2. Attach the *motor and impeller assembly* (N) to the *base* (K) using six *M8x20 hex cap screws* (A), and six *M10 flat washers* (E). Hand tighten only until all screws and washers are in place, then tighten all six screws with a 13mm wrench.
3. Attach the *inlet guard* (O) to *impeller housing* (N) using eight *M6x12 pan head flange screws* (B).
4. Press the *inlet port* (P) onto the *inlet guard* (O) until it snaps into place. Secure in place with  $\frac{3}{16}$ " x  $\frac{1}{2}$ " *pan head flange screw* (C).

**⚠WARNING** To reduce the risk of injury from moving parts, always keep inlet port (P) covered with the caps provided, if they are not connected to a hose.

## Connector Tube and Switch Box

1. Place the *lower gasket* (Q) on the *impeller housing* (N). Line up the rubber pegs on the gasket (face down) with the holes in the housing.
2. Place the *connector tube* (R) on the *impeller housing* (N), making sure that the holes of the mating flanges are aligned.

**Note:** Refer to Figure 3 to make sure that the connector tube is facing the proper direction.

3. Insert an *M8x20 hex cap screw* (A), through the *M8 washer* (D) and flanges of the *connector tube* (R) and *impeller housing* (N).
4. Place another *washer* (D) and a *hex nut* (F) on the protruding end of the *screw* (A) and hand-tighten only.
5. Mount the *control box* (S) to the two holes at the front of the *connector tube* flange (R).
6. Repeat steps 3 and 4 for the remaining screw locations, hand tightening only.
7. Tighten all hex nuts with a 13mm wrench.

## Collector Housings

Mount the *right collector housing* (V) as follows:

1. Place an *upper gasket* (T) between the *collector housing* (V) and *connector tube* (R). Line up the pegs on the *gasket* (T) with the holes in the *housing* (V).
2. Place the *collector housing* (V) on the *connector tube* (R). Make sure to properly orient the collector housing – the internal baffle must slope downwards toward the center.
3. Insert a *screw* (A) through the *washer* (D), *connector tube flange* (R), and *collector-housing flange* (V).
4. Place another *washer* (D) and a *hex nut* (F) on the protruding end of the *screw* (A) and hand-tighten.
5. Repeat steps 1 through 4 for the seven remaining screw locations.
6. Tighten all screws and hex nuts with a 13mm wrench.
7. Repeat steps 1 through 6 for the *left collector housing* (U).

## Support Bars

1. Align the bottom slots of a *support bar* (W) with the holes in the *base* (K). Insert two *screws* (A) with two *flat washers* (D) and hand tighten only.  
**Note:** If you are using the Canister Filter System, proceed with steps 2 through 5 below. If you are using the Filter Bag System, leave the support bar (W) as is, for further assembly later, and proceed to "Handles".
2. Align the top holes of the *support bar* (W) with the holes at the rear of the *collector housing* (V) and insert two *screws* (A) and two *flat washers* (D).
3. Place a *washer* (D) and a *hex nut* (F) on the protruding end of each *screw* (A) inside the collector housing, and hand-tighten only.
4. Adjust the lower part of the *support bar* (W) as needed using its slots, until it is straight. Then tighten all four screws on the *support bar* (W).
5. Repeat for the other support bar.



## Handles

1. Remove the *plate* (Y) from the *handle* (X) by loosening the two *socket head cap screws* (Z) with a 6mm hex wrench.
2. Install *handle* (X) to the holes in the *collector housing* (U) by inserting the socket head cap screws through the handle, the collector housing, and into the plate on the opposite side. Tighten the screws.

**Note:** Make sure the *plate* (Y) is oriented properly, as shown in the Detail in Figure 3: The protrusions on the plate should face away from the handle.

3. Install the other three handles in like manner. (Two handles for each housing.)

## Cone Installation

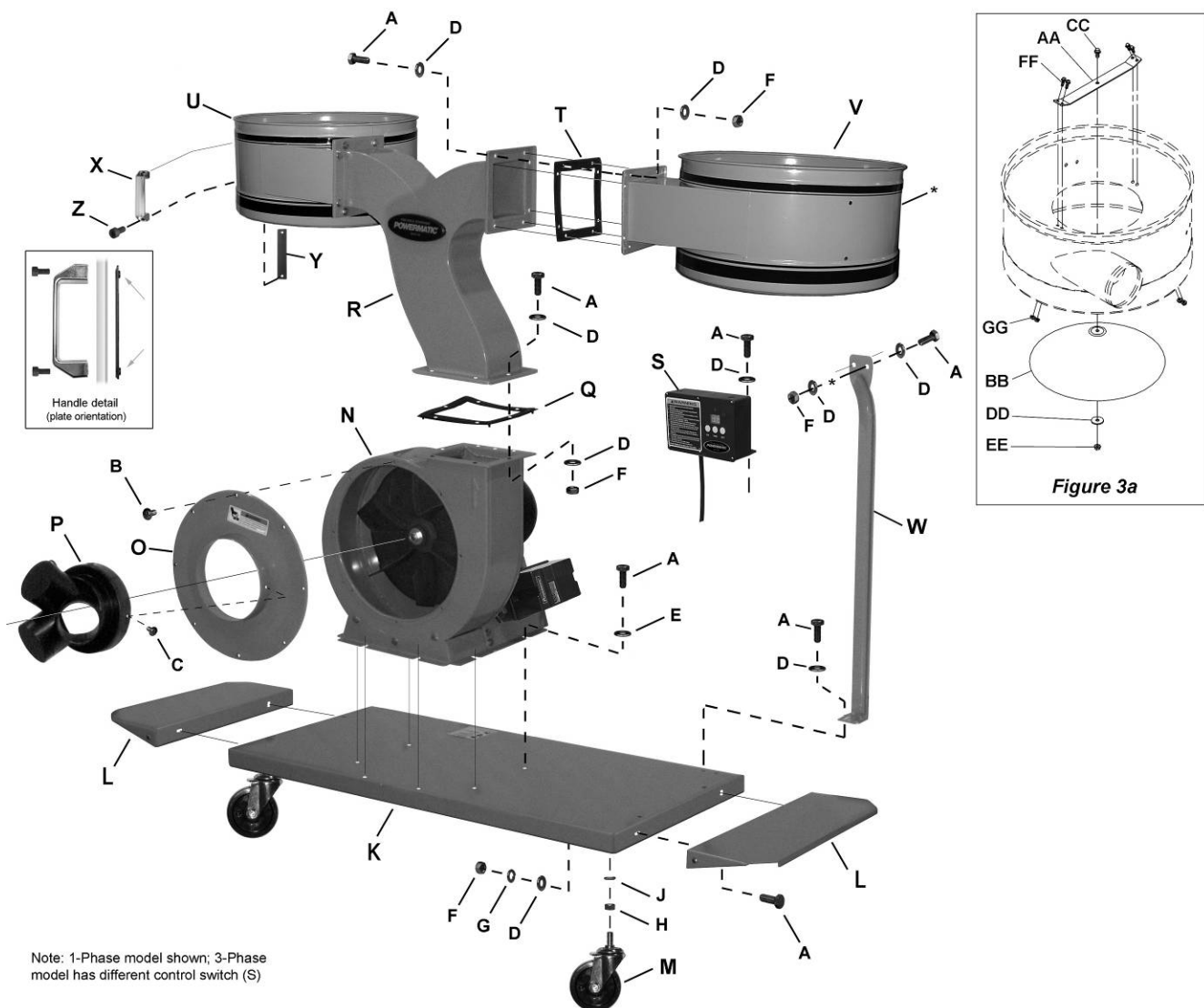
Install the cone assembly as shown in Figure 3a.

1. Mount the cone support bracket (AA) to the housing with four M6x12 hex cap screws (FF) and tighten from beneath with four M6 hex nuts (GG).
2. Install the cone (BB) from beneath using the M8x16 hex cap screw (CC), M8 flat washer (DD) and M8 hex nut (EE).

## Filter System

If your PM1900 Dust Collection system includes filter bags, proceed to *Filter Bag System Assembly* on page 10.

If your PM1900 Dust Collection system includes the canister kit, proceed to *Canister System Assembly* on page 11.



Note: 1-Phase model shown; 3-Phase model has different control switch (S)

Figure 3: Assembly and part identification

## Filter Bag System Assembly

**Note:** If your dust collection system includes the canister kit, proceed to *Canister System Assembly* on page 11.

1. Insert a *hanger support* between *support bar* and collector housing (Figure 4).
2. Align holes and secure with two M8x20 hex cap screws and two M8 flat washers outside the housing, and two M8 flat washers and two M8 hex nuts inside the housing. Hand tighten only.



Figure 4

3. Make any needed adjustments to the *support bar*, then tighten the two upper and two lower screws on the *support bar* with 13mm wrenches.
4. Insert the *ring* (Figure 5) of the *collector bag* into the bottom of the housing at an angle. Pull down on the collector bag to make sure it “seats” on the inner lip of the housing.
5. Position the plastic window in front so that you can easily see when collector bag is full.
6. Connect the *upper hanger* to the *hanger support bar* (Figure 6).
7. Slide the loop of the *filter bag* over the hook on the *upper hanger* and mount the hanger assembly onto the *hanger bracket* (Figure 4). Rotate the hanger so that the hook at the top points toward the front of the machine.
8. Unroll the *retainer straps* (Figure 6). **CAUTION:** Retainer straps are coiled under tension. Maintain a firm grip on each one while unrolling it.

9. Thread the *retainer strap* (Figure 6) through the loops on the filter bag, and fasten it to the collector housing, as shown in Figure 7.

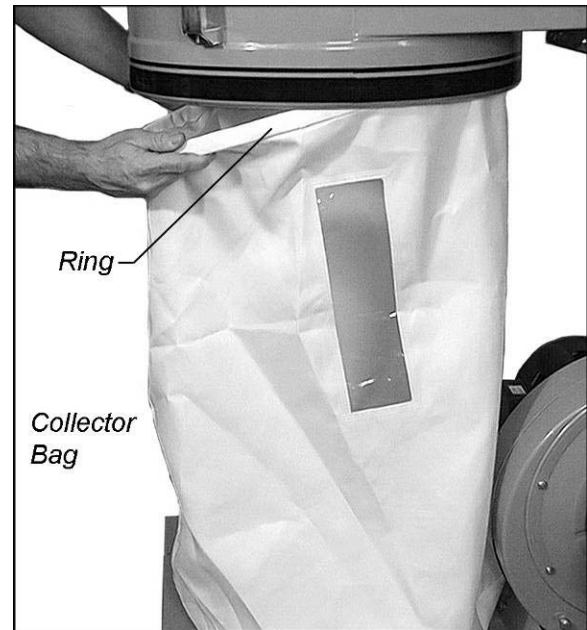


Figure 5

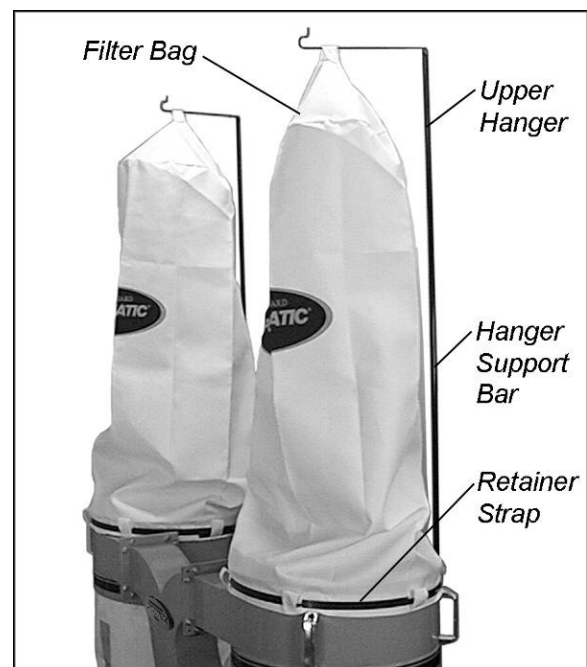


Figure 6

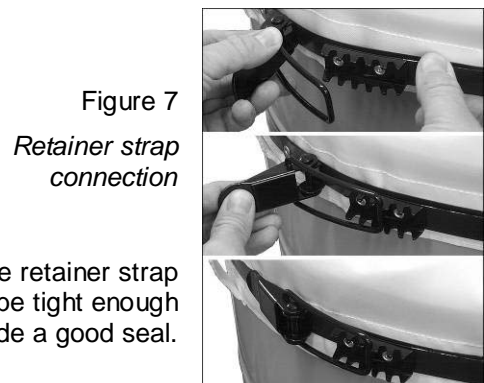


Figure 7  
Retainer strap connection

The retainer strap should be tight enough to provide a good seal.

# Canister System Assembly

(17mm wrench required)

1. Place the *snap ring* over the top of the *plastic collector bag*, and fold over the bag approximately three inches (Figure 8).

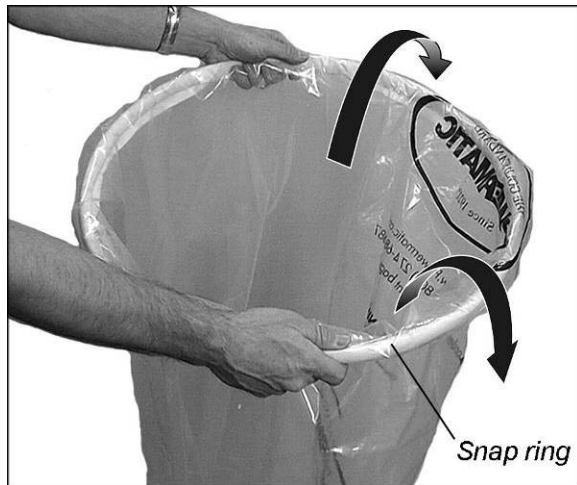


Figure 8

2. Insert the *snap ring* of the collector bag into the bottom of the housing at an angle (Figure 9).
3. Pull down on the *snap ring* to make sure it “seats” on the inner lip of the housing.

**Note:** Make sure the snap ring “snaps” into place in the housing, and also that the plastic bag hangs down approximately 3 inches so that there are no air leaks.

4. Remove the *handle* (Figure 10) from inside the *canister filter*. Mount the *handle* onto the *canister filter* with two M10 *hex nuts* (A), two M10 *flat washers* (B), and an M10 *lock washer* (C). Arrange these fasteners according to Figure 10. Tighten with a 17mm wrench.
5. Place the canister on top of the housing, and push down to ensure the canister is seated on the housing.
6. Insert and tighten the four *knobs* into the threaded holes on the canister (Figure 10).

**Note:** The Powermatic® label on the front of the canister should have a negligible effect upon air flow. However, if zero effect is desired, the label can always be peeled off.



Figure 9

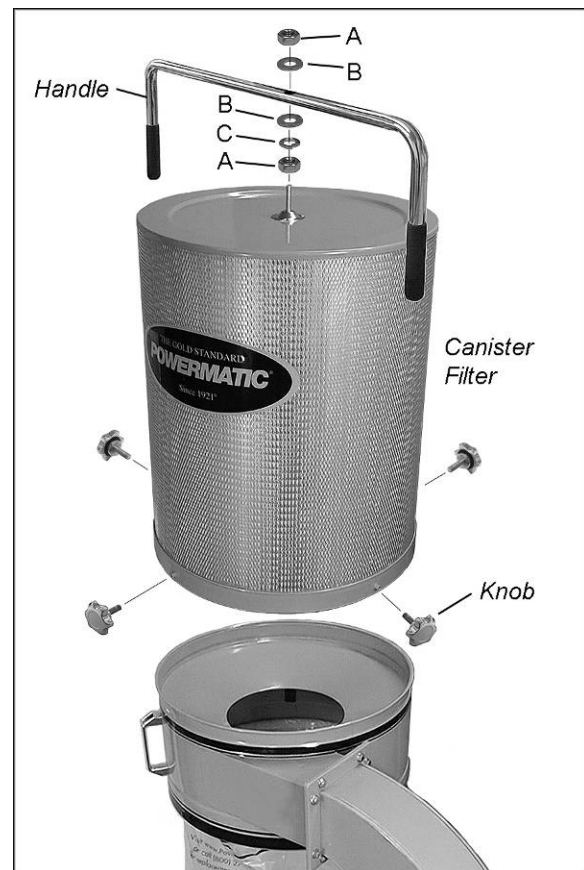


Figure 10

# Electrical Connections

**⚠WARNING** Electrical connections must be made by a qualified electrician in compliance with all relevant codes. This machine must be properly grounded to help prevent electrical shock and possible fatal injury.

The PM1900 is equipped with either a **single phase**, 230 volt only motor; or a **three phase**, 230/460V motor (pre-wired 230V). Keep in mind that a circuit being used by other machines (tools, lights, heaters, etc.) at the same time will add to the electrical load. Thus, it is recommended that the **single phase machine** be connected to a dedicated 40 amp circuit, with a 40 amp circuit breaker or fuse. It is recommended that the **three phase machine** be connected to a dedicated 20 amp circuit with a 20 amp circuit breaker or fuse. **Local codes take precedence over recommendations.**

The **three phase** dust collector can be re-wired for 460V operation as follows:

### To convert from 230 to 460 volt operation:

1. *Disconnect from power source; unplug!*
2. Connect the motor leads as shown in the diagram inside the motor junction box; this diagram is also shown on page 20 of this manual.
3. ~~Open the control box cover by removing the six screws, and move the voltage switch to 460V. TG~~
4. Replace the plug on the power cord with an appropriate UL/CSA listed 460V plug.
5. When finished wiring, re-install junction box ~~and control box~~ covers.

### Grounding Instructions

This machine must be grounded. In the event of a malfunction or breakdown, grounding provides a path of least resistance for electric current to reduce the risk of electric shock.

Improper connection of the equipment-grounding conductor can result in a risk of electric shock. The conductor with insulation having an outer surface that is green with or without yellow stripes, is the equipment-grounding conductor. If repair or replacement of the electric cord or plug is necessary, do not connect the equipment-grounding conductor to a live terminal.

The hose or ductwork you use to connect the tool to the dust collector must also be grounded.

Make sure the voltage of your power supply matches the specifications on the motor plate of the dust collector.

Check with a qualified electrician or service personnel if the grounding instructions are not completely understood, or if in doubt as to whether the tool is properly grounded.

Repair or replace a damaged or worn cord immediately.

### Extension Cords

If an extension cord is needed, make sure the cord rating is suitable for the amperage listed on the machine's motor plate. An undersize cord will cause a drop in line voltage resulting in loss of power and overheating.

Use the chart in Figure 11 as a general guide in choosing the correct size cord. If in doubt, use the next heavier gauge. The smaller the gauge number, the heavier the cord.

#### Recommended Gauges (AWG) of Extension Cords

Amps	Extension Cord Length *					
	25 feet	50 feet	75 feet	100 feet	150 feet	200 feet
< 5	16	16	16	14	12	12
5 to 8	16	16	14	12	10	NR
8 to 12	14	14	12	10	NR	NR
12 to 15	12	12	10	10	NR	NR
15 to 20	10	10	10	NR	NR	NR
21 to 30	10	NR	NR	NR	NR	NR

\*based on limiting the line voltage drop to 5V at 150% of the rated amperes.

NR: Not Recommended.

Figure 11

## Operating the Machine

**3 Phase models:** Connect the dust collector to the power source, and use the industrial-style push-button switch to operate the machine.

**1 Phase models:** If power is flowing, a green indicator will light on the face of the control panel. To operate the machine, use the buttons on the control panel, or use the provided remote control. To start the dust collector, press the ON button. If the remote control is used, aim it at the control panel. The machine will remain running until the OFF button is pressed. The digital readout will always display 00 while running.

The remote control operates on two AAA batteries. These will need replacing periodically.

NOTE: The infrared sensor on the dust collector has a 120° line-of-sight angle. See Figure 12. Outside of this angle, the remote control may not be effective.

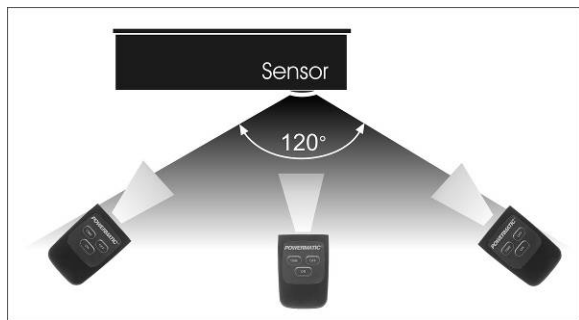


Figure 12

## Setting the Timer (1-Phase Models)

While the machine is running, press the TIME button to activate the timer. Each time the button is pressed and released, the run time is incremented on the digital display by one minute and can be set up to 99 minutes.

If the TIME button is pressed and held, the time will scroll up to 99 minutes, then start again at 00. Release the button when the desired set time is reached. The dust collector will run for the amount of time displayed on the digital display. If you scroll past 99 and release the button at 10, for example, the machine will run for ten minutes, not 110 minutes.

If the OFF button is pressed while machine is running with the timer engaged, the machine turns off and the timer is disengaged; i.e., when the machine is restarted, the timer must be reset.

## Connecting the Dust Collector to a Machine

Use the proper type hose to connect the dust collector to the machine being operated. *Dryer vent hose is not acceptable for this purpose.* Contact your nearest Powermatic distributor for a full line of Dust Collector hoses and accessories. You can customize your installation and obtain maximum performance with dust hoods, hoses, clamps, fittings, and blast gates.

## Maintenance

**⚠WARNING** Never perform maintenance on this machine before turning it OFF and removing plug from power source. Failure to comply may cause serious injury!

## Cleaning the Filter Bags

**⚠CAUTION** Wearing a particle mask or respirator for protection against fine dust particles during cleaning is highly recommended.

During first use and after cleaning, the filter bags may allow some dust to escape. This is normal and will stop after a short period of time.

Clean both the filter and collector bags frequently to keep the collector's performance at its optimum. To clean:

1. Disconnect machine from the power source.
2. Unhook the filter bag from the hanger. Shake the bag so that the majority of the dust falls into the collector bag.
3. Loosen the retaining strap, and remove the filter bag from the housing.
4. Turn the bag inside-out and clean.
5. Turn the bag outside-in and re-attach to the housing using the retainer strap to secure.

## Removing the Collector Bags

1. Disconnect machine from the power source.
2. Remove the collector bag by pushing the ring of the collector bag upwards and pulling the bag out at an angle.
3. Empty the contents into an appropriate container.
4. Turn the bag inside-out and clean.
5. Turn the bag outside-in and insert into the housing.

## Cleaning the Canister Filters

Clean the canister filters frequently to keep the collector's performance at its optimum. To clean the filter, turn the handle a couple of rotations so the dust falls into the clear plastic bag. Properly discard the plastic bag.

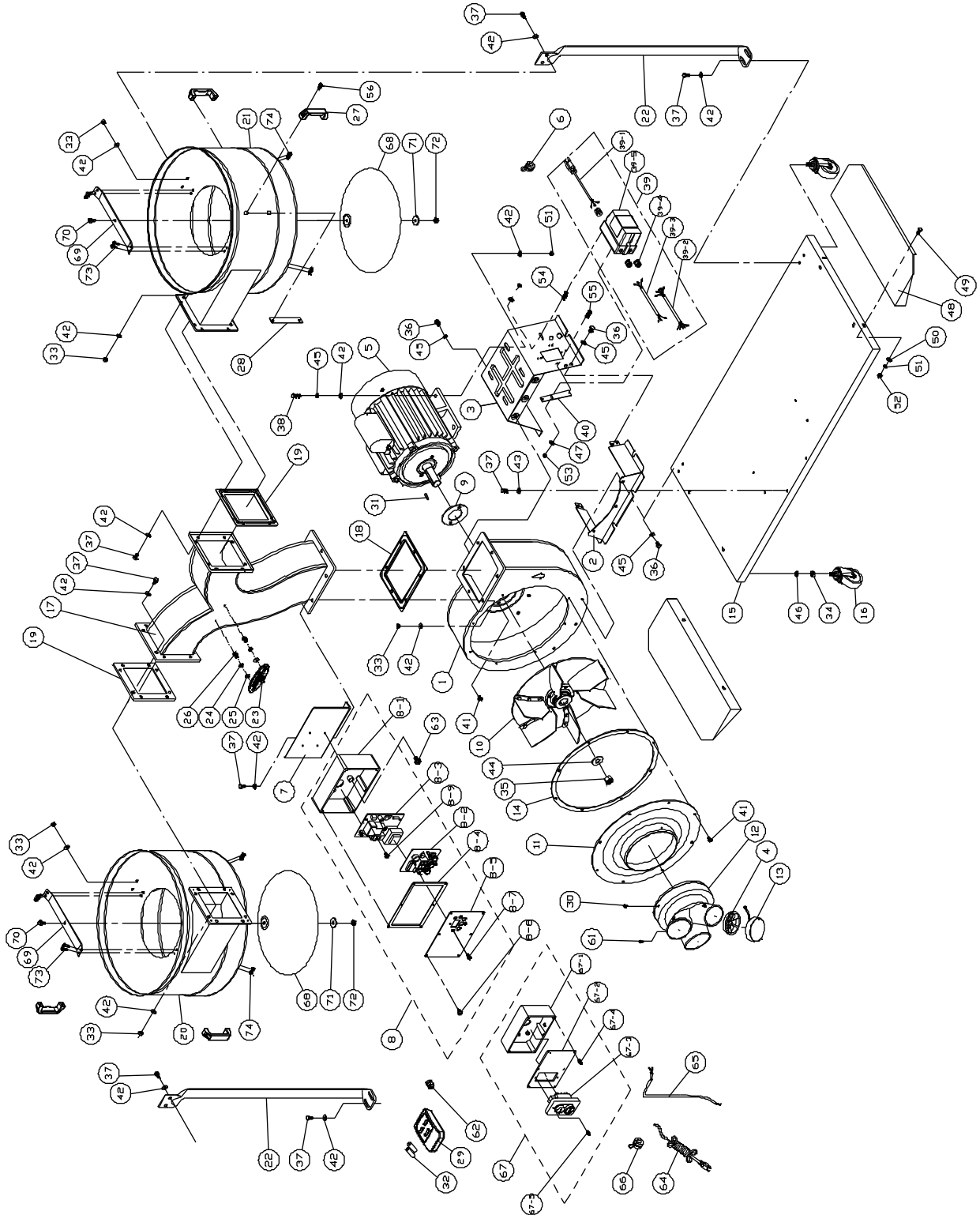
## Motor

Make frequent inspections of the motor fan and blow out (with low pressure air hose) or vacuum any accumulation of foreign material in order to maintain normal motor ventilation.

## Replacement Parts

Replacement Parts are listed on the following pages. To order parts or reach our service department, call 1-800-274-6848, Monday through Friday (see our website for business hours, [www.waltermeier.com](http://www.waltermeier.com)). Having the Model Number and Serial Number of your machine available when you call will allow us to serve you quickly and accurately.

### Breakdown for PM1900 Dust Collector (Base Machine)



## Parts List for PM1900 Dust Collector (Base Machine)

Index No.	Part No.	Description	Size	Qty
1	PM1900-101	Impeller Housing		1
2	PM1900-102	Impeller Housing Bracket		1
3	PM1900-103-1	Motor Bracket	1Ph	1
	PM1900-103-3	Motor Bracket	3Ph	1
4	PM1300-151	Inlet Guard		3
5	PM1900-105-1	Motor	3HP, 230V, 1Ph	1
	PM1900-105-1MF	Motor Fan (not shown)		1
	PM1900-105-1MFC	Motor Fan Cover (not shown)		1
	PM1900-105-1SC	Starting Capacitor (not shown)	600MFD, 125VAC	1
	PM1900-105-1RC	Running Capacitor (not shown)	50µF, 250VAC	2
	PM1900-105-1CS	Centrifugal Switch (not shown)		1
	PM1900-105-3	Motor	3HP, 230/460V, 3Ph	1
	PM1900-105-1MF	Motor Fan (not shown)		1
	PM1900-105-1MFC	Motor Fan Cover (not shown)		1
6	998630	Strain Relief	7P-2	2
7	PM1900-107	Mount Plate		1
8	PM1900-108	Remote Control Switch Assembly	For 3HP, 230V, 1Ph	1
8-1	DCRC-108	Switch Box		1
8-2	PM1900-108-2	Circuit Board		1
8-3	PM1900-108-3	Digital Switch		1
8-4	DCRC-104	Seal		1
8-5	DCRC-103	Switch Plate		1
8-6	PM1900-108-6	Pan Head Screw	M5x8	4
8-7	DCRC-102	Flat Head Screw	1/8" x 1/4"	3
8-8	ST039304	Tapping Screw	M3.5x12(AB)	6
8-9	DCRC-111	Tapping Screw	M4x10	1
	PM1900-108-10	Display Label (not shown)		1
9	420051	Motor Gasket		1
10	431006	Impeller	Dia. 14"	1
11	PM1900-111	Inlet Guard	8"	1
12	499025	Inlet Port	3 @ 4"	1
13	420203	Inlet Cap		2
14	431034	Rubber Gasket		1
15	PM1900-115	Base		1
16	402036	Caster		4
17	PM1900-117	Connector Tube		1
18	430035	Rubber Gasket		1
19	430036	Rubber Gasket		2
20	PM1900-120	Left Housing		1
21	PM1900-121	Right Housing		1
22	PM1900-122	Support Bar		2
23	PWBS14-254SN	POWERMATIC Nameplate, Small		1
24	TS-2361061	Lock Washer	M6	2
25	TS-1550041	Flat Washer	M6	2
26	6715154	Hex Cap Screw	1/4-20 x 3/8	2
27	PM1900-127	Handle		4
28	PM1900-128	Fastening Plate		4
29	PM1900-129	Remote Control		1
	PM1900-129-1	Remote Control Label (not shown)		1
30	990855	Pan Head Flange Screw	3/16 x 1/2	1
31	992021	Key	7x7x20	1
32		Battery (local purchase)	AAA	2
33	TS-1540061	Hex Nut	M8	30
34	TS-0561031	Hex Nut	3/8-16	4
35	TS-0561072	Hex Nut	5/8-18 UNF	1
36	TS-1490011	Hex Cap Screw	M8x12	10
37	TS-1490031	Hex Cap Screw	M8x20	36

Index No.	Part No.	Description	Size	Qty
38	TS-1490041	Hex Cap Screw	M8x25	4
39	PM1900-139	Magnetic Switch	for 3HP, 230V, 1Ph	1
39-1	PM1900-139-1	Power Cord	14AWG x 3C	1
39-2	PM1900-139-2	Motor Cord	14AWG x 3C	1
39-3	PM1900-139-3	Switch Cord	14AWG x 3C	1
40	PM1900-140	Fastening Plate		1
41	SF069300	Pan Head Flange Screw	M6x12	10
42	TS-1550061	Flat Washer	M8	64
43	TS-1550071	Flat Washer	M10	6
44	TS-155010	Flat Washer	M16	1
45	TS-2361081	Lock Washer	M8	14
46	TS-2361101	Lock Washer	M10	4
47	TS-1550031	Flat Washer	M5	2
48	PM1900-148	Base Extension		2
49	TS-1490031	Hex Cap Screw	M8x20	4
50	TS-1550061	Flat Washer	M8	4
51	TS-2361081	Lock Washer	M8	4
52	TS-1540061	Hex Nut	M8	4
53	TS-1540031	Hex Nut	M5	2
54	TS-1533042	Pan Head Screw	M5x12	2
55	PM1900-108-6	Tapping Screw	M5x8	2
56	TS-1504021	Socket Head Cap Screw	M8x12	8
57	DCRC-111	Tapping Screw	M3.5x10(AB)	6
58	31A-208-2	Strain Relief	PG13.5	1
59	PM1900-157	Power Cord	14AWG x 4C (for 3HP, 3Ph)	1
60	PM1900-158	Motor Cord	14AWG x 4C (for 3HP, 3Ph)	1
61	998630	Strain Relief		1
62	PM1900-160	Switch Assembly	For 3HP, 230/460V, 3Ph	1
62-1	PM1900-160-1	Switch Box		1
62-2	PM1900-160-2	Switch Plate		1
62-3	PM1900-160-3	Push Button Switch		1
62-4	ST039304	Tapping Screw	M3.5x12	6
62-5	PM1900-160-5	Tapping Screw	M5x12	2
	PM1900-BMHP	Base Machine Hardware Package (not shown)*		1
	PM1900-BEHP	Base Extension Hardware Package (not shown)**		1
68	PM1300-155	Cone		2
69	DC1100-47-1	Support Bracket		2
70	TS-1490021	Hex Cap Screw	M8x16	2
71	TS-1550061	Flat Washer	M8	2
72	TS-1540061	Hex Nut	M8	2
73	TS-1482021	Hex Head Bolt	M6x12	8
74	TS-2311061	Hex Nut	M6	8
	PM1900-BMHP	Base Machine Hardware Package (not shown)*		1
	PM1900-BEHP	Base Extension Hardware Package (not shown)**		1
	DC1100-HP2	Hardware Package for Cone Assembly (index # 70 thru 74)		2

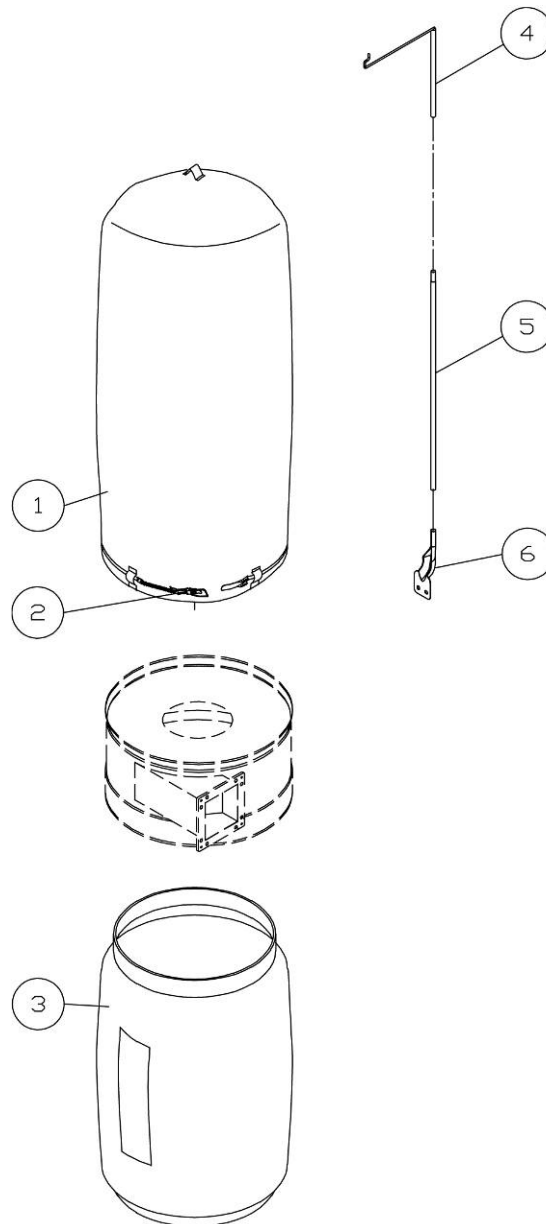
\* Base Machine Hardware Package includes index # 30, 33, 37, 41, 42 and 43.

\*\* Base Extension Hardware Package includes index # 49 thru 52.

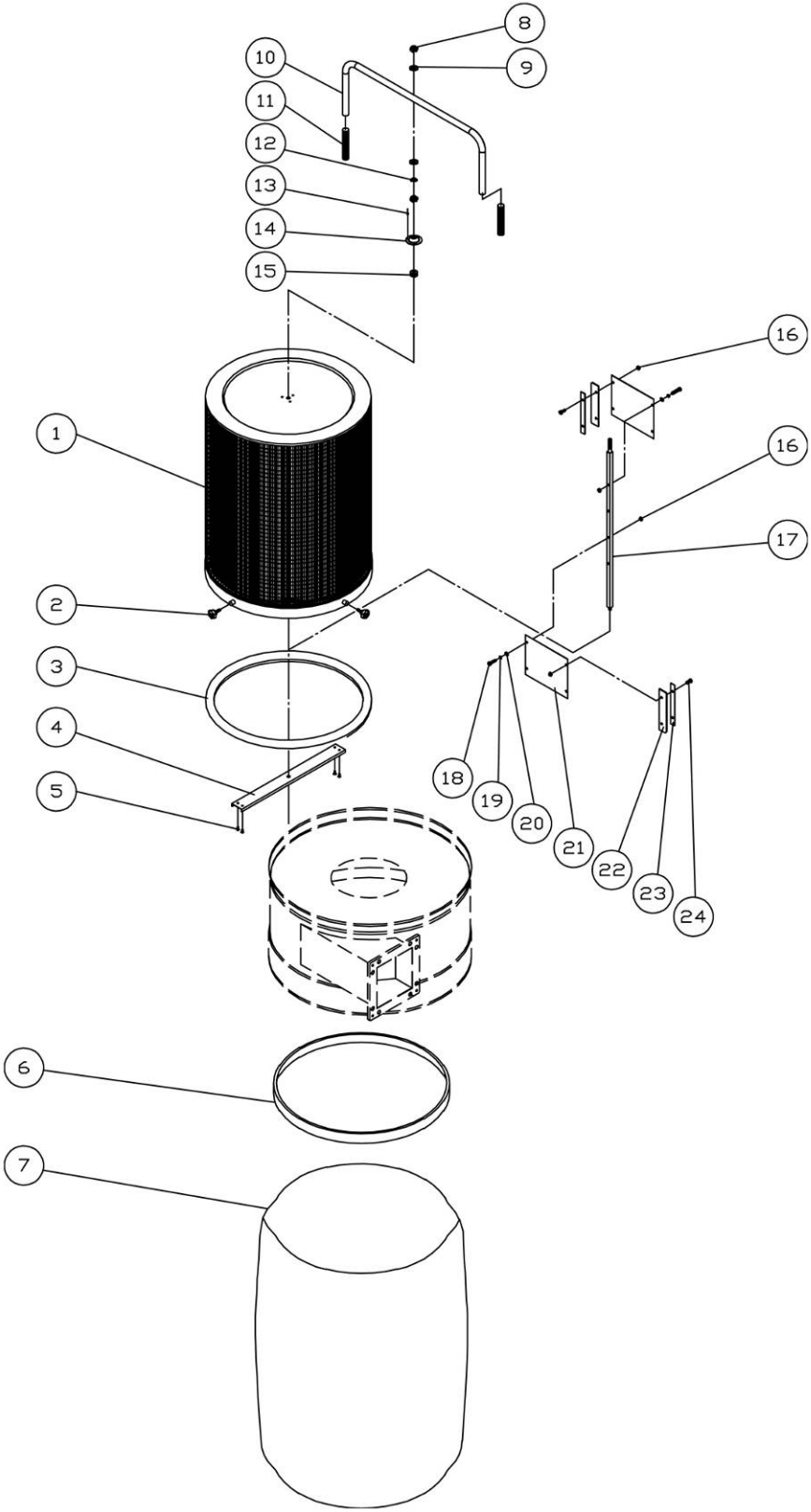


## Parts List and Breakdown for PM1900 Filter Bag System

Index No.	Part No.	Description	Size	Qty
.....	1791075B.....	Collection and Filter Bag System (includes #1 thru 6).....		1
1.....	1791075F.....	Filter Bag.....	30 micron.....	2
2.....	430005.....	Retainer Strap.....		2
3.....	708699A.....	Collection Bag.....		2
4.....	430039.....	Upper Hanger.....		2
5.....	430037.....	Support Bar.....		2
6.....	523011.....	Hanger Bracket.....		2



# Breakdown for PM1900 Canister Filter System



## Parts List for PM1900 Canister Filter System

Index No.	Part No.	Description	Size	Qty
.....	1791086	Canister Filter System (includes #1 thru 24)		2
1.....	PM1900-301	Canister Filter		1
2.....	PM1900-302	Knob	M6x20	4
3.....	331031	Pad		1
4.....	331009	Support		1
5.....	ST049200	Tapping Screw	M4x8	4
6.....	331038	Snap Ring		1
7.....	1791087	Plastic Collection Bag (Package of 5)	800x1050x0.1t mm	1
8.....	TS-1540071	Hex Nut	M10	2
9.....	TS-1550071	Flat Washer	M10	2
10.....	331050	Handle		1
11.....	331051	Soft Grip Handle		2
12.....	TS-2361101	Lock Washer	M10	1
13.....	BR000052	Rivet	5-2	3
14.....	331014	Bracket		1
15.....	150623	Rubber Mount		1
16.....	TS-1540041	Hex Nut	M6	8
17.....	331052	Shaft		1
18.....	TS-1482041	Hex Cap Screw	M6x20	4
19.....	TS-2361061	Lock Washer	M6	4
20.....	TS-1550041	Flat Washer	M6	4
21.....	331012	Scraper		2
22.....	331017	Plate		2
23.....	331015	Plate		2
24.....	TS-1482021	Hex Cap Screw	M6x12	4
.....	PM1300-PLO	Powermatic Label (not shown)	5-1/2x14 Oval	1
.....	PM1900-CHP	Canister Hardware Package (not shown) *		1

\* Canister Hardware Package includes index # 2, 8, 9 and 12.

# Electrical Connections

Installation work and electrical wiring must be done by qualified person(s) in accordance with all applicable codes and standards, including fire-rated construction.

