



Router Lift Accessories for PM2000B Table Saw

6827041B – Wood Extension Table with Router Cutout

737014 – Router Fence

737013 – Power Switch with Mounting Bracket



The Wood Extension Table with Router Cutout, Router Fence, and Power Switch, are designed for use with the **#737000 Model JRL-912 Router Lift** (not included). See your dealer to order.

Refer to Accu-Fence manual M-2195079B that accompanied your PM2000B table saw for instructions on mounting the wood table to your table saw. Manuals may also be found on our website, www.powermatic.com

Once the Wood Extension Table is installed, use the following exploded views to help assemble the Router Fence.

⚠ WARNING Before assembling or operating these accessories, know and follow all instructions and safety warnings that accompanied your table saw, router lift, rip fence system, and router. Failure to comply may cause serious injury!

⚠ WARNING: This product can expose you to chemicals including lead which is known to the State of California to cause cancer and birth defects or other reproductive harm. For more information go to <http://www.p65warnings.ca.gov>.

⚠ WARNING: Drilling, sawing, sanding or machining wood products generates wood dust and other substances known to the State of California to cause cancer. Avoid inhaling dust generated from wood products or use a dust mask or other safeguards for personal protection.

Wood products emit chemicals known to the State of California to cause birth defects or other reproductive harm. For more information go to <http://www.p65warnings.ca.gov/wood>.

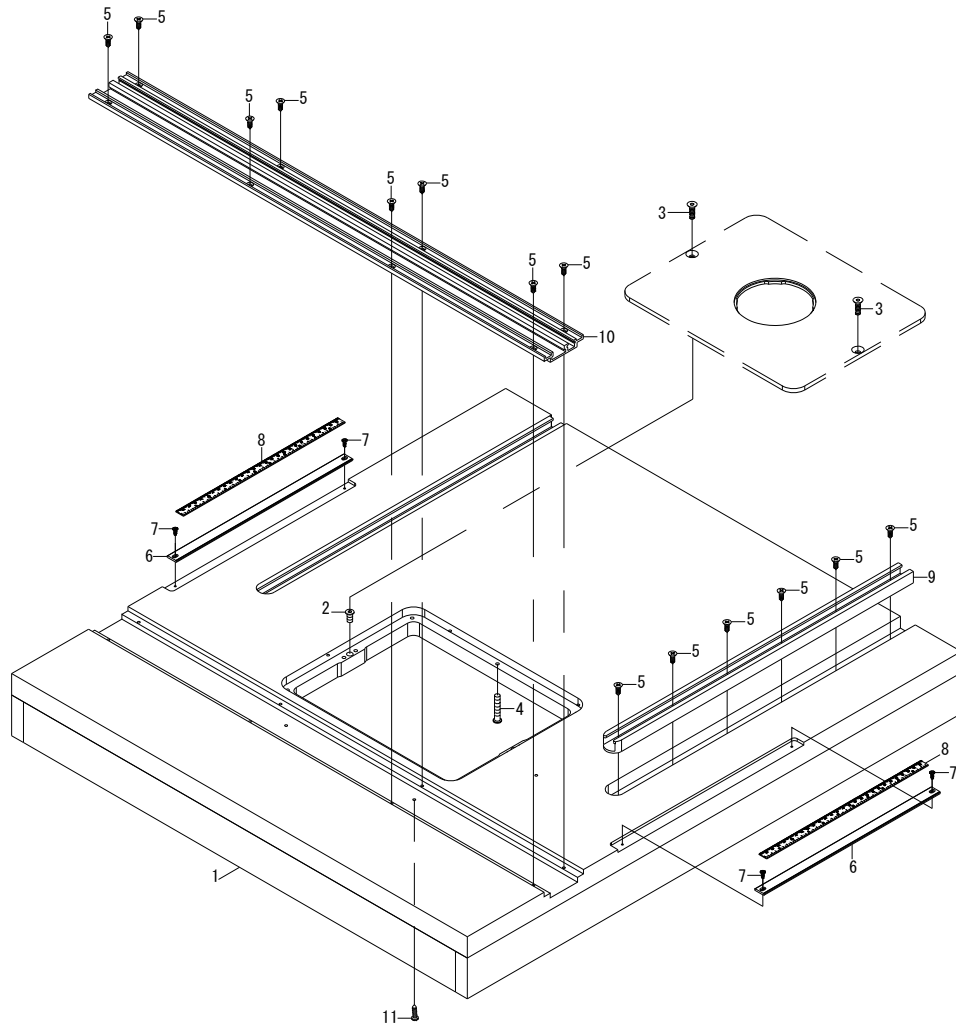
Powermatic
427 New Sanford Road
LaVergne, Tennessee 37086
Ph.: 800-274-6848
www.powermatic.com

Part No. M-6827041B
Edition 2 05/2019
Copyright © 2017 Powermatic

Replacement Parts

To order parts or reach our service department, call 1-800-274-6848 Monday through Friday, 8:00 a.m. to 5:00 p.m. CST. Having the Model Number and Serial Number of your machine available when you call will allow us to serve you quickly and accurately. Non-proprietary parts, such as fasteners, can be found at local hardware stores, or may be ordered from Powermatic. Some parts are shown for reference only, and may not be available individually.

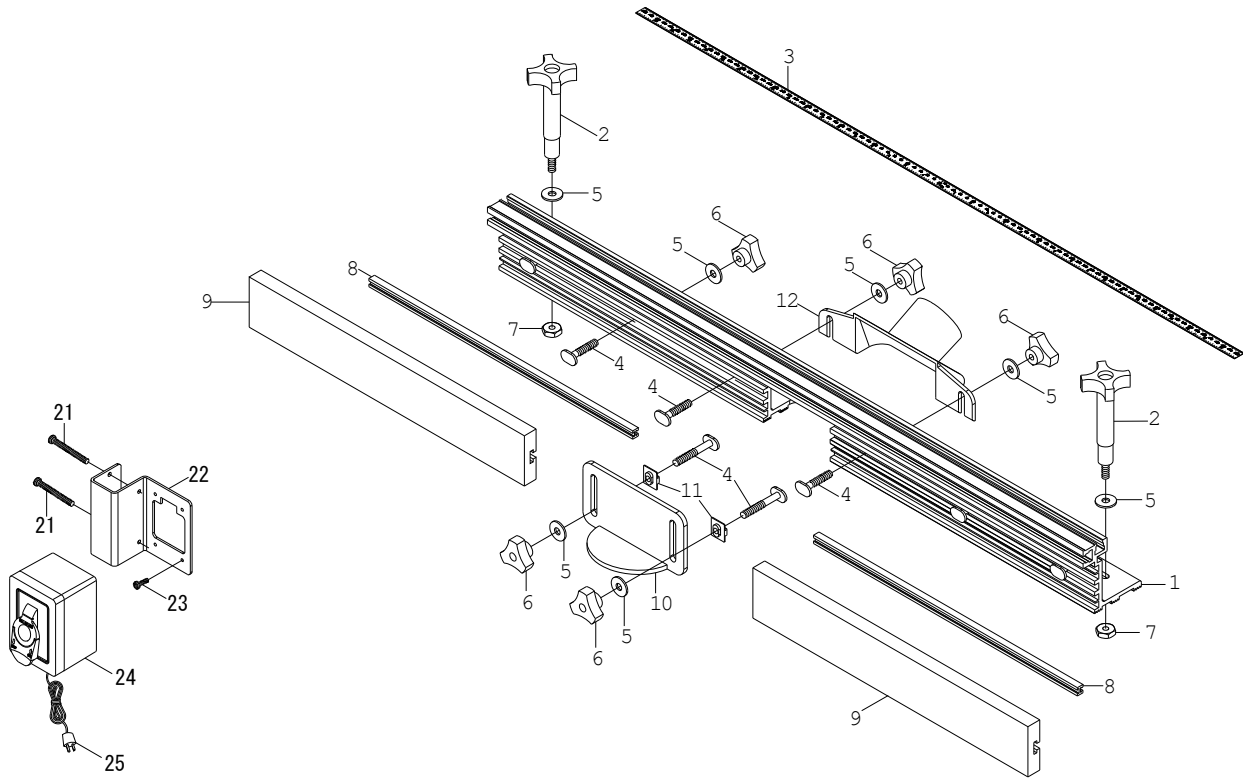
6827041B Router Table Assembly



Index No	Part No	Description	Size	Qty
	6827041B	Wood Ext. Table 30.5 x 33 w/Router Cutout (#1 thru 10)		1
1		Wood Ext. Table (RE: 6827041B)		1
2	F001225	Phillips Flat Hd Mach Screw	M6-1.0 x 13	2
3	F010966	Socket Hd Flat Screw BO	M6-1.0 x 30	2
4	JRLS-602	Phillips Flat Hd Wood Screw	M7 x 40	10
5	F011316	Phillips Flat Hd Tap Screw	#10 x 5/8"	20
6	PRL-106	Scale Plate		2
7	F011821	Phillips Pan Hd Tap Screw	M3 x 10	4
8	PRL-108	Scale		2
9	PRL-109	T-Track		2
10	PRL-110	T-Slot Guide Rail		1
11	F011317	Phillips Pan Hd Tap Screw	#10 x 5/8"	6

737014 Router Fence Assembly

737013 Power Switch with Mounting Bracket



Index No	Part No	Description	Size	Qty
	737014	Router Fence Assembly for PM2000B (#1 thru 12)		
1	PRL-201	Router Table Fence	780mm (30-3/4")	1
2	JRL912-401	Lock Handle	M8	2
3	PRL-203	Scale	780mm (30-3/4")	1
4	JRL912-403	T-Bolt		8
5	TS-1550061	Flat Washer	M8	10
6	JRL912-406	Lock Knob	M8	8
7	JRL912-407	Lock Nut	M8	2
9	PRL-209	Sub-Fence	390 mm (15-11/32")	2
10	JRL912-410	Router Bit Guard		1
11	JRL912-411	Fence Spacer		2
12	JRL912-432	Dust Port		1

Index No	Part No	Description	Size	Qty
	737013	Power Switch with Table Saw Mounting Bracket (#21 thru 25)		
21	F001226	Phillips Pan Hd Machine Screw BO	M5-0.8×33	2
22	PRL-300	Mounting Bracket		1
23	5AD-D04A	Phillips Pan Hd Machine Screw	M5-0.8×8	4
24	737006	On/Off Switch (includes #5)	15A 125V	1
25	JRL912-224	Power Cord	15 mm ² ×3C	1

Additional Accessories:

8	PRL-208	Shims for Sub-Fence (set of 2)	338mm	
	737010	Vertical Feather Board Assembly (set of 2)		
	737011	Horizontal Feather Board Assembly (set of 2)		
	737008	Flip Stop Assembly		

Warranty and Service

Powermatic® warrants every product it sells against manufacturers' defects. If one of our tools needs service or repair, please contact Technical Service by calling 1-800-274-6846, 8AM to 5PM CST, Monday through Friday.

Warranty Period

The general warranty lasts for the time period specified in the literature included with your product or on the official Powermatic branded website.

- Powermatic products carry a limited warranty which varies in duration based upon the product. (See chart below)
- Accessories carry a limited warranty of one year from the date of receipt.
- Consumable items are defined as expendable parts or accessories expected to become inoperable within a reasonable amount of use and are covered by a 90 day limited warranty against manufacturer's defects.

Who is Covered

This warranty covers only the initial purchaser of the product from the date of delivery.

What is Covered

This warranty covers any defects in workmanship or materials subject to the limitations stated below. This warranty does not cover failures due directly or indirectly to misuse, abuse, negligence or accidents, normal wear-and-tear, improper repair, alterations or lack of maintenance. Powermatic woodworking machinery is designed to be used with Wood. Use of these machines in the processing of metal, plastics, or other materials outside recommended guidelines may void the warranty. The exceptions are acrylics and other natural items that are made specifically for wood turning.

Warranty Limitations

Woodworking products with a Five Year Warranty that are used for commercial or industrial purposes default to a Two Year Warranty. Please contact Technical Service at 1-800-274-6846 for further clarification.

How to Get Technical Support

Please contact Technical Service by calling 1-800-274-6846. **Please note that you will be asked to provide proof of initial purchase when calling.** If a product requires further inspection, the Technical Service representative will explain and assist with any additional action needed. Powermatic has Authorized Service Centers located throughout the United States. For the name of an Authorized Service Center in your area call 1-800-274-6846 or use the Service Center Locator on the Powermatic website.

More Information

Powermatic is constantly adding new products. For complete, up-to-date product information, check with your local distributor or visit the Powermatic website.

How State Law Applies

This warranty gives you specific legal rights, subject to applicable state law.

Limitations on This Warranty

POWERMATIC LIMITS ALL IMPLIED WARRANTIES TO THE PERIOD OF THE LIMITED WARRANTY FOR EACH PRODUCT. EXCEPT AS STATED HEREIN, ANY IMPLIED WARRANTIES OF MERCHANTABILITY AND FITNESS FOR A PARTICULAR PURPOSE ARE EXCLUDED. SOME STATES DO NOT ALLOW LIMITATIONS ON HOW LONG AN IMPLIED WARRANTY LASTS, SO THE ABOVE LIMITATION MAY NOT APPLY TO YOU.

POWERMATIC SHALL IN NO EVENT BE LIABLE FOR DEATH, INJURIES TO PERSONS OR PROPERTY, OR FOR INCIDENTAL, CONTINGENT, SPECIAL, OR CONSEQUENTIAL DAMAGES ARISING FROM THE USE OF OUR PRODUCTS. SOME STATES DO NOT ALLOW THE EXCLUSION OR LIMITATION OF INCIDENTAL OR CONSEQUENTIAL DAMAGES, SO THE ABOVE LIMITATION OR EXCLUSION MAY NOT APPLY TO YOU.

Powermatic sells through distributors only. The specifications listed in Powermatic printed materials and on the official Powermatic website are given as general information and are not binding. Powermatic reserves the right to effect at any time, without prior notice, those alterations to parts, fittings, and accessory equipment which they may deem necessary for any reason whatsoever.

Product Listing with Warranty Period

90 Days – Parts; Consumable items
1 Year – Motors, Machine Accessories
2 Year – Woodworking Machinery used for industrial or commercial purposes
5 Year – Woodworking Machinery

NOTE: Powermatic is a division of JPW Industries, Inc. References in this document to Powermatic also apply to JPW Industries, Inc., or any of its successors in interest to the Powermatic brand.