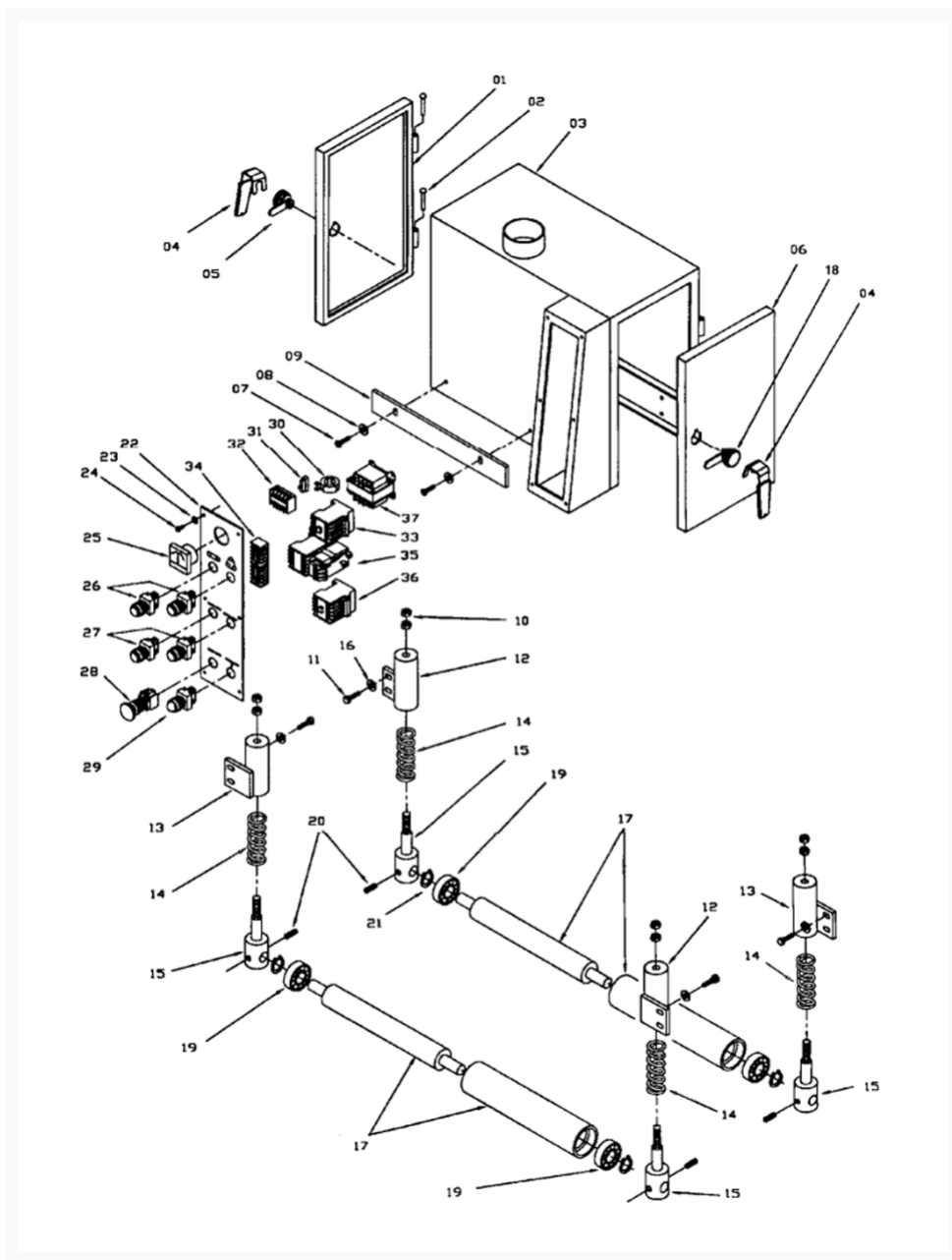




# 1632 5HP 1PH Electrical Control and Upper Adjustment Roller

## Product Images



## Additional Information

---

Stock Number

1791250-2

## Products in this set

---

