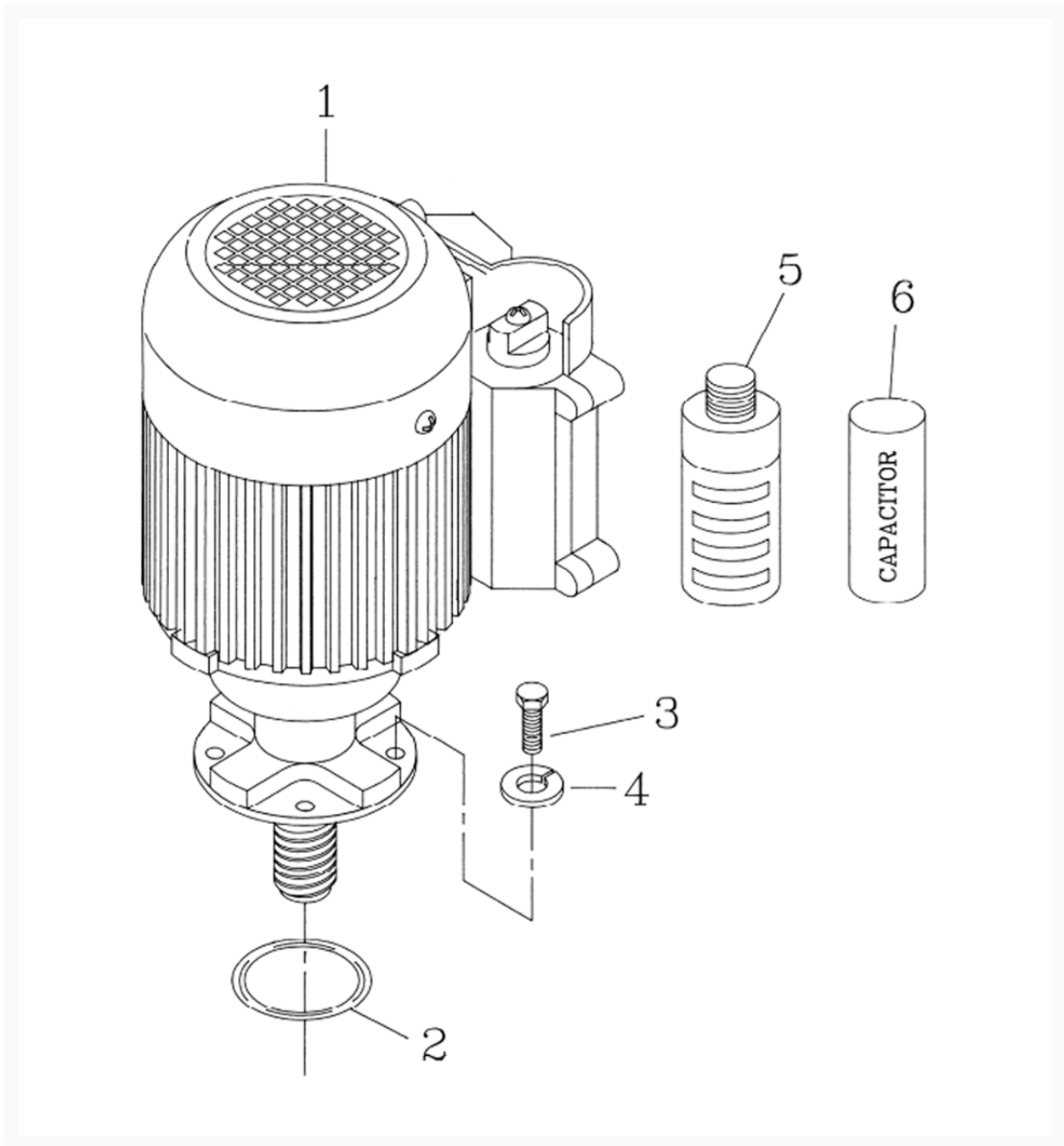




# PF-33 230V Motor Assembly

## Product Images



## Additional Information

---

Stock Number

1790800K-2

## Products in this set

---

