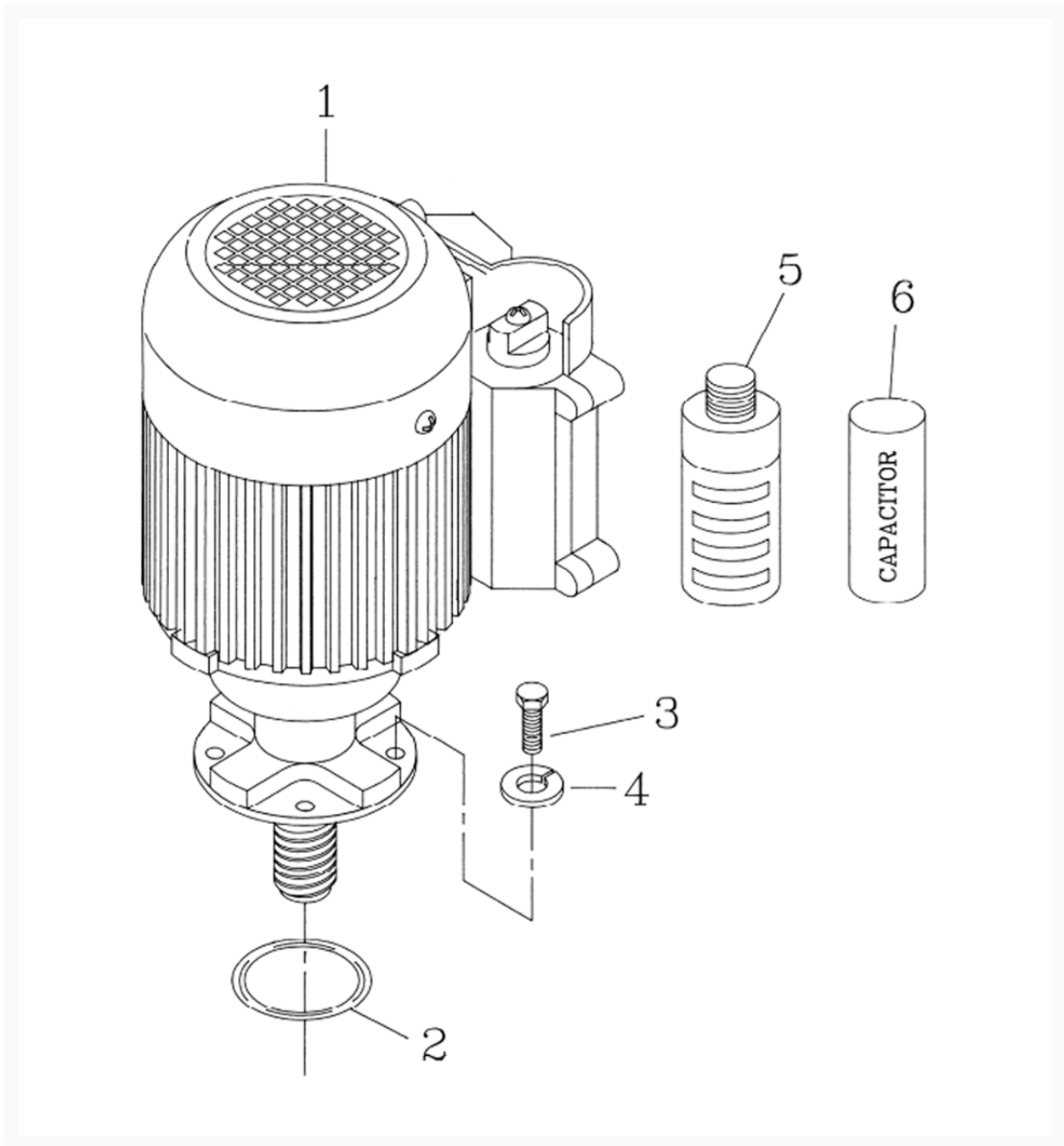




PF-41 Motor Assembly

Product Images



Additional Information

Stock Number

1790812K-2

Products in this set

