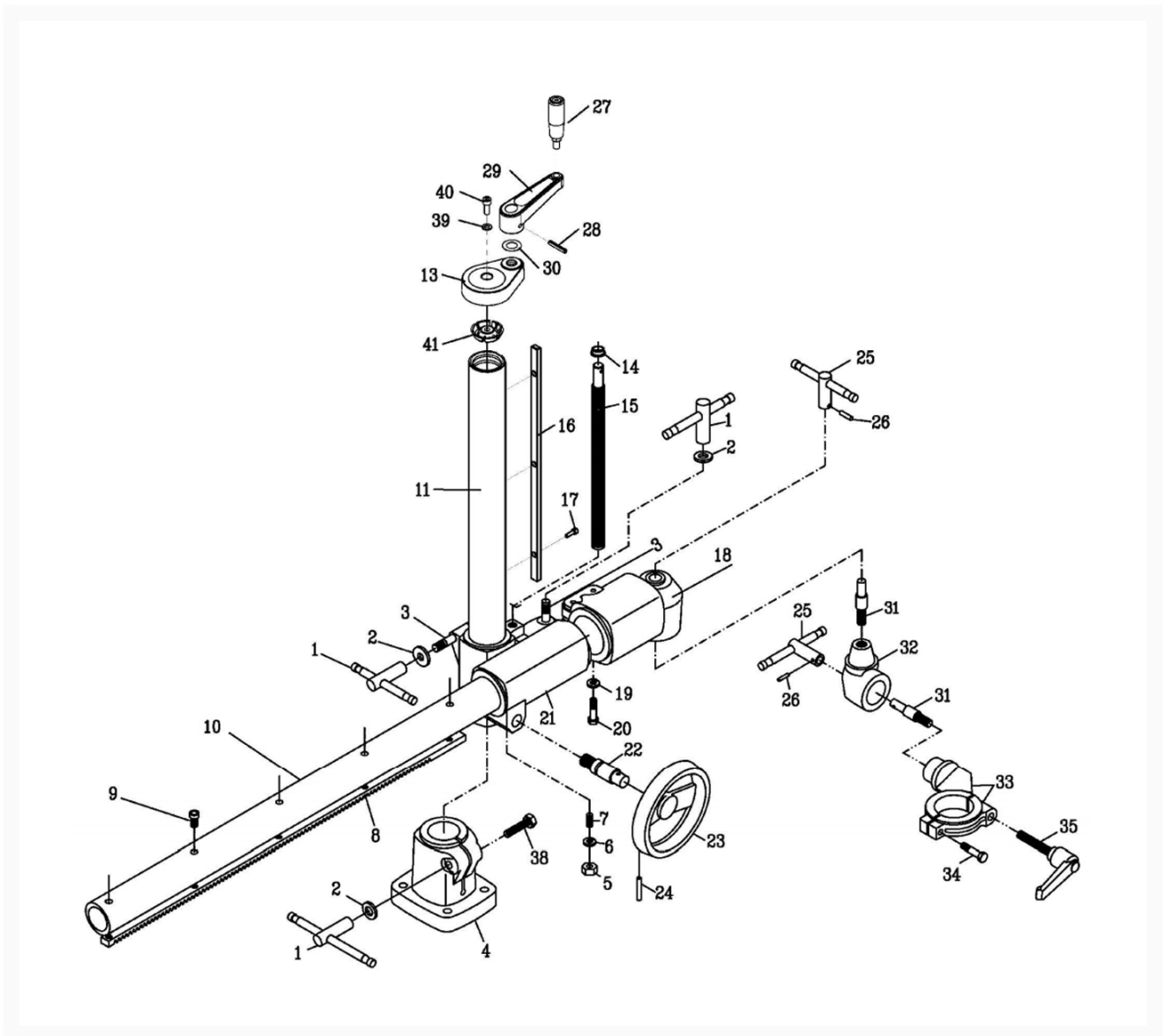




PF-41 Feeder Mounting Assembly

Product Images



Additional Information

Stock Number

1790812K-3

Products in this set

