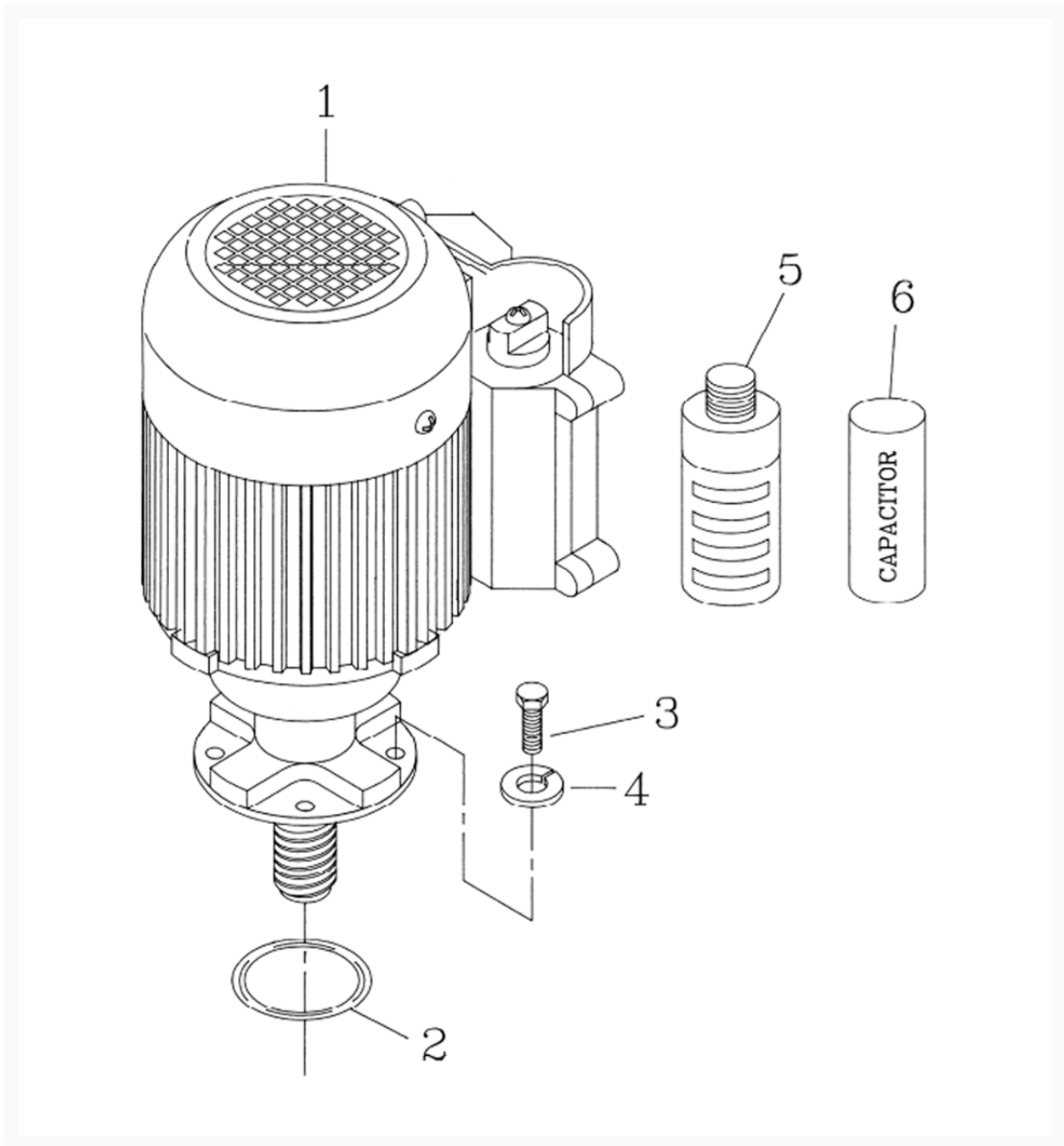




PF-33 460V Motor Assembly

Product Images



Additional Information

Stock Number

1790810K-2

Products in this set

