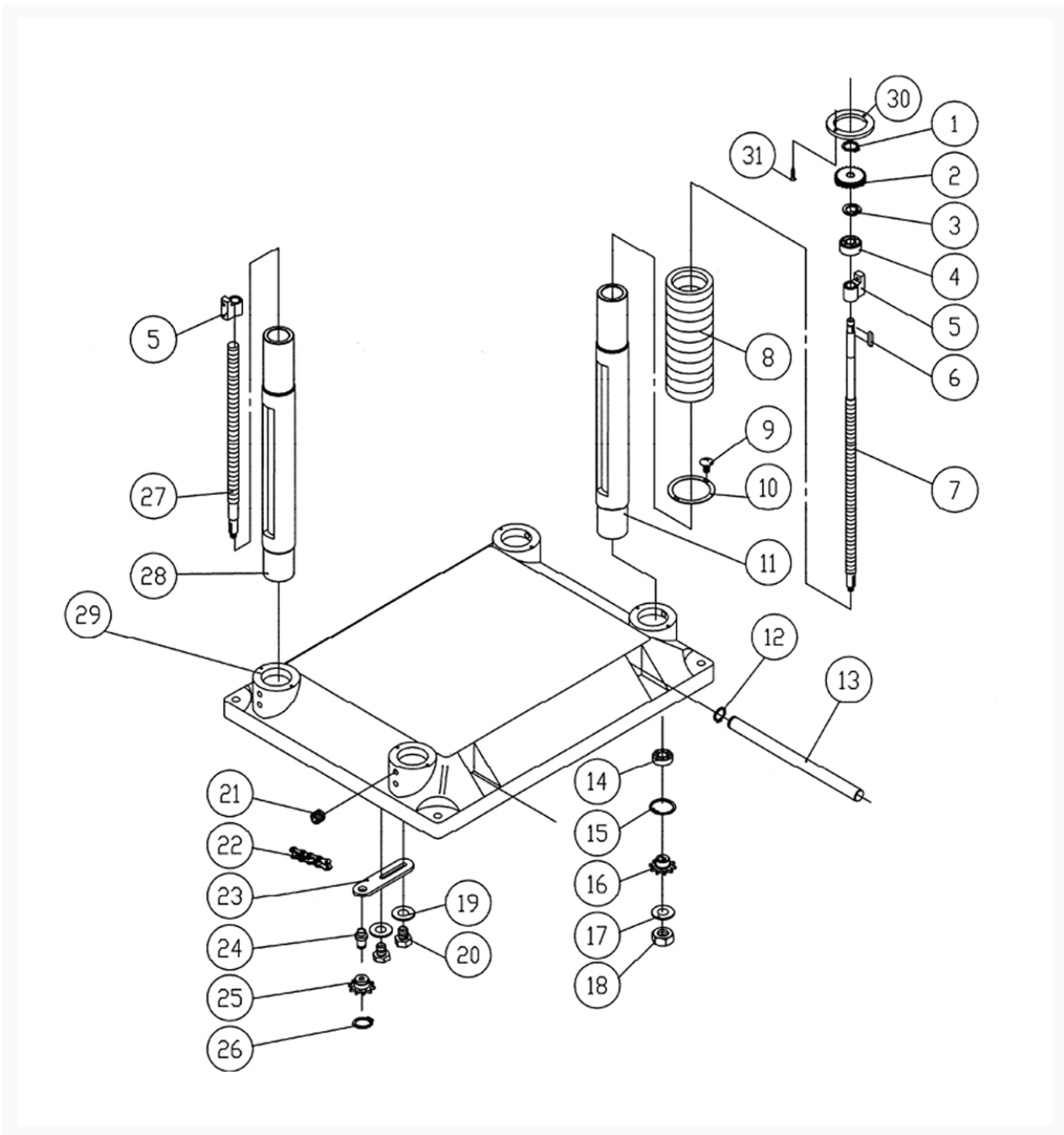




209HH 5HP 1PH Base Assembly

Product Images



Additional Information

Stock Number

1791315-2

Products in this set

