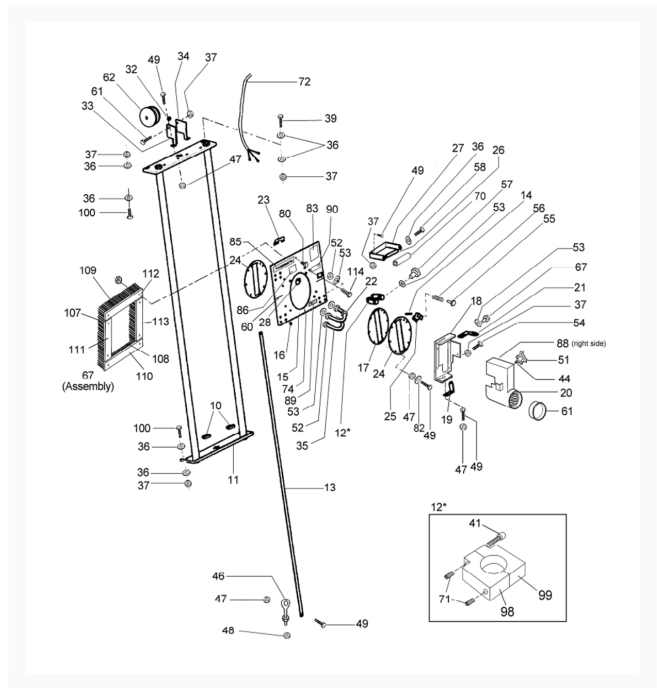
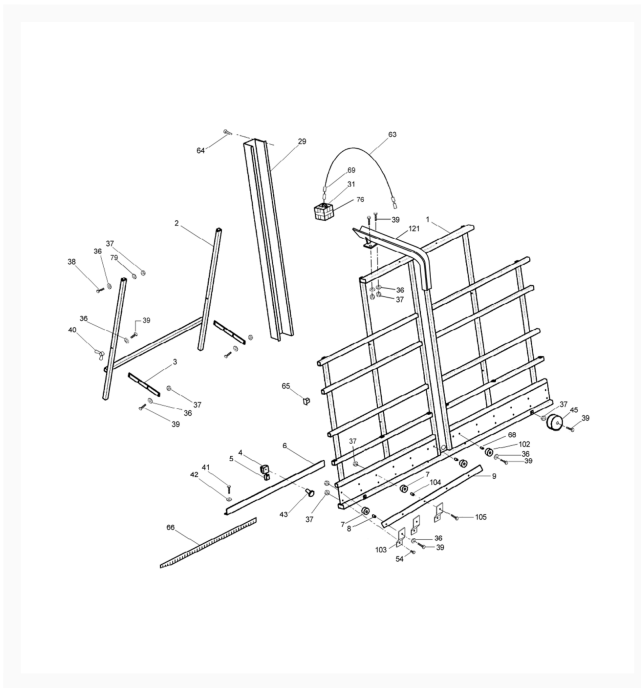




511 Complete Machine

Product Images



Additional Information

Stock Number

1510007-1

Products in this set

