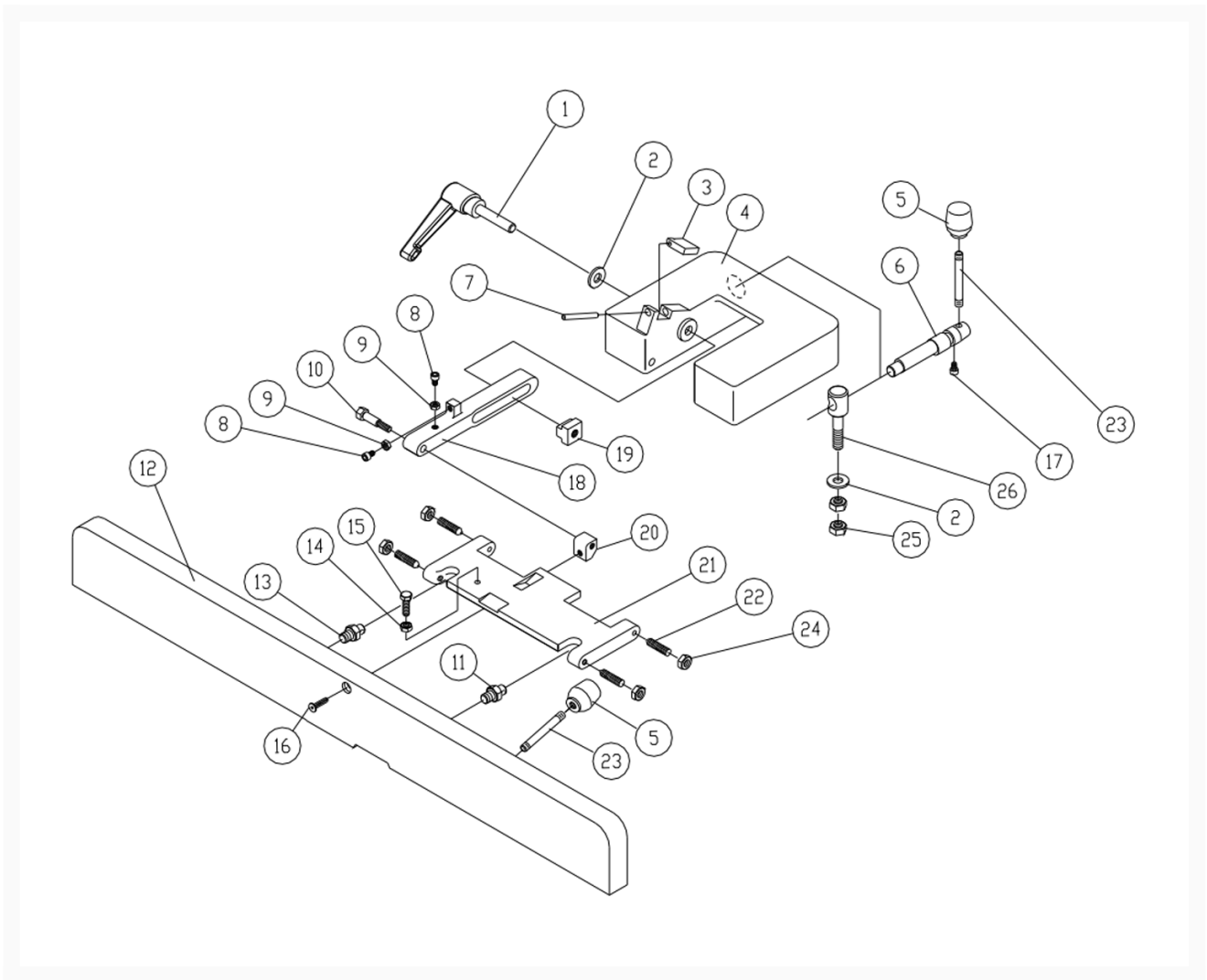




54A Parts List and Assembly

Product Images



Additional Information

Stock Number

1791279DXK-3

Products in this set

