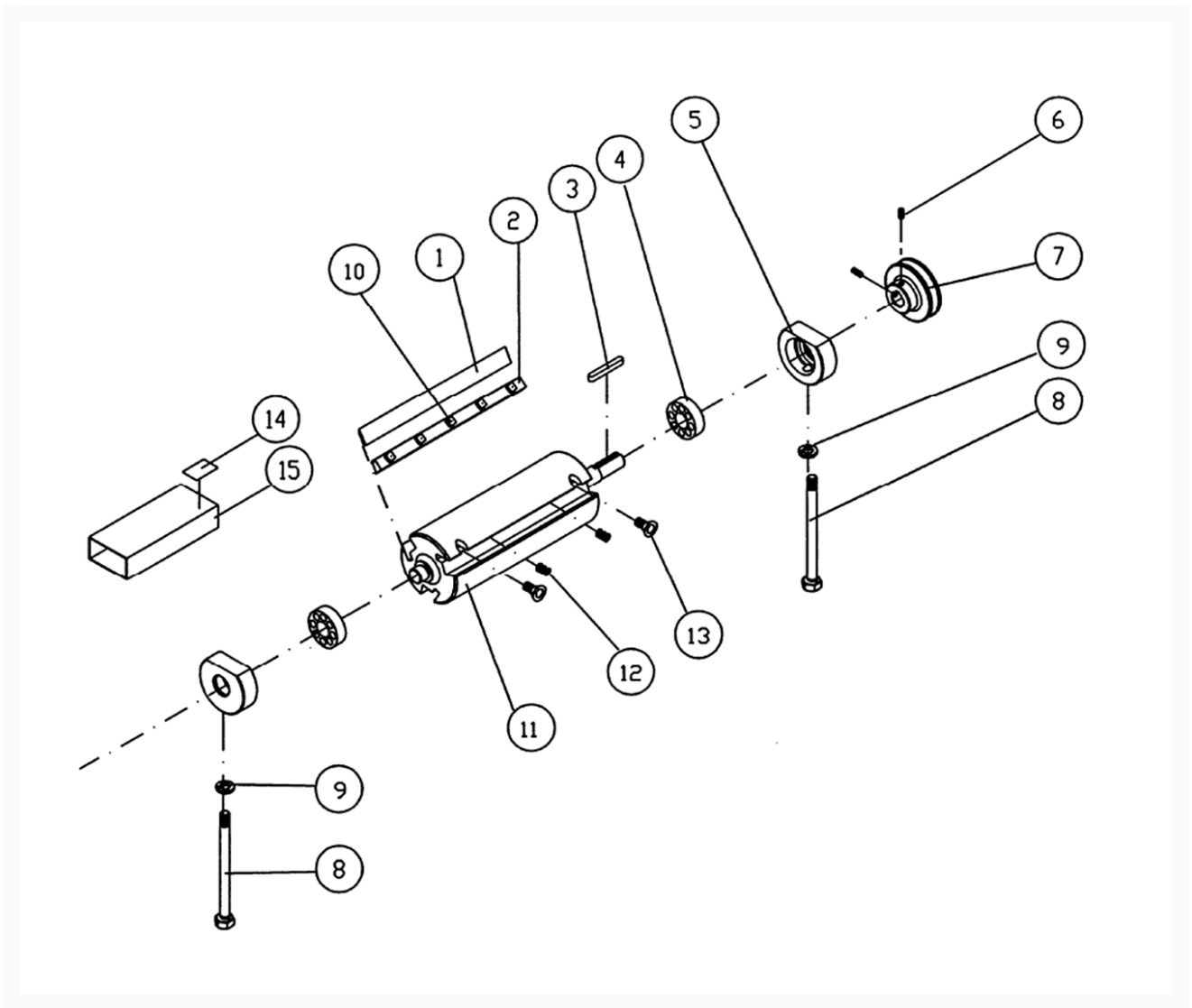




PJ882 Cutterhead Assembly

Product Images



Additional Information

Stock Number

1610079-2

Products in this set

