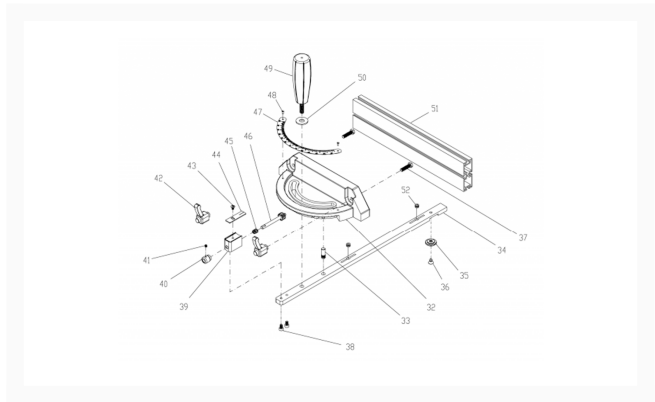
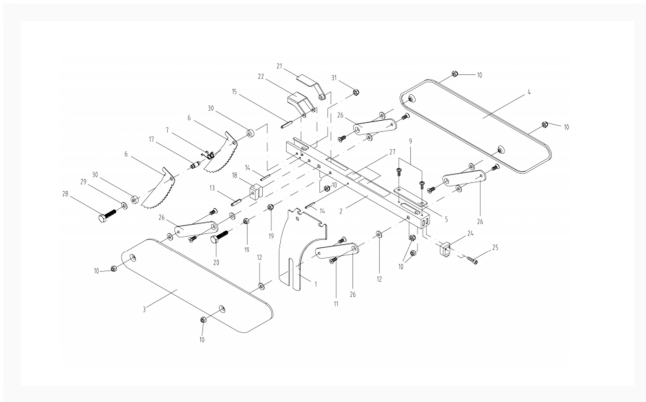


64B - 50 in. Blade Guard and Miter Gauge Assemblies

Product Images



Additional Information

Stock Number

1791230K-4

Products in this set

