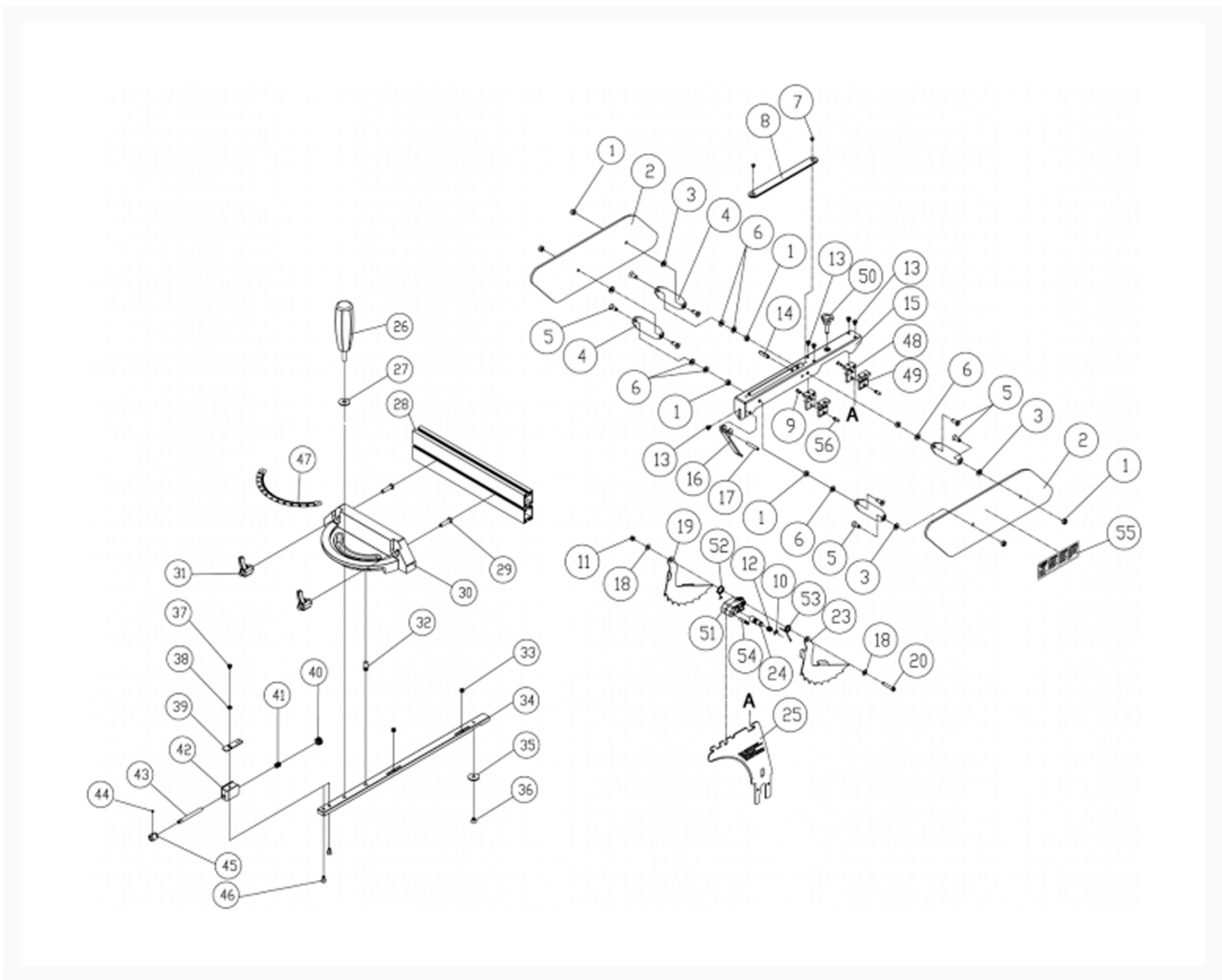




2000B - 5HP - 50 in. Table Saw - Blade Guard and Miter Gauge Assemblies

Product Images



Additional Information

Stock Number

PM25150K-3

Products in this set

