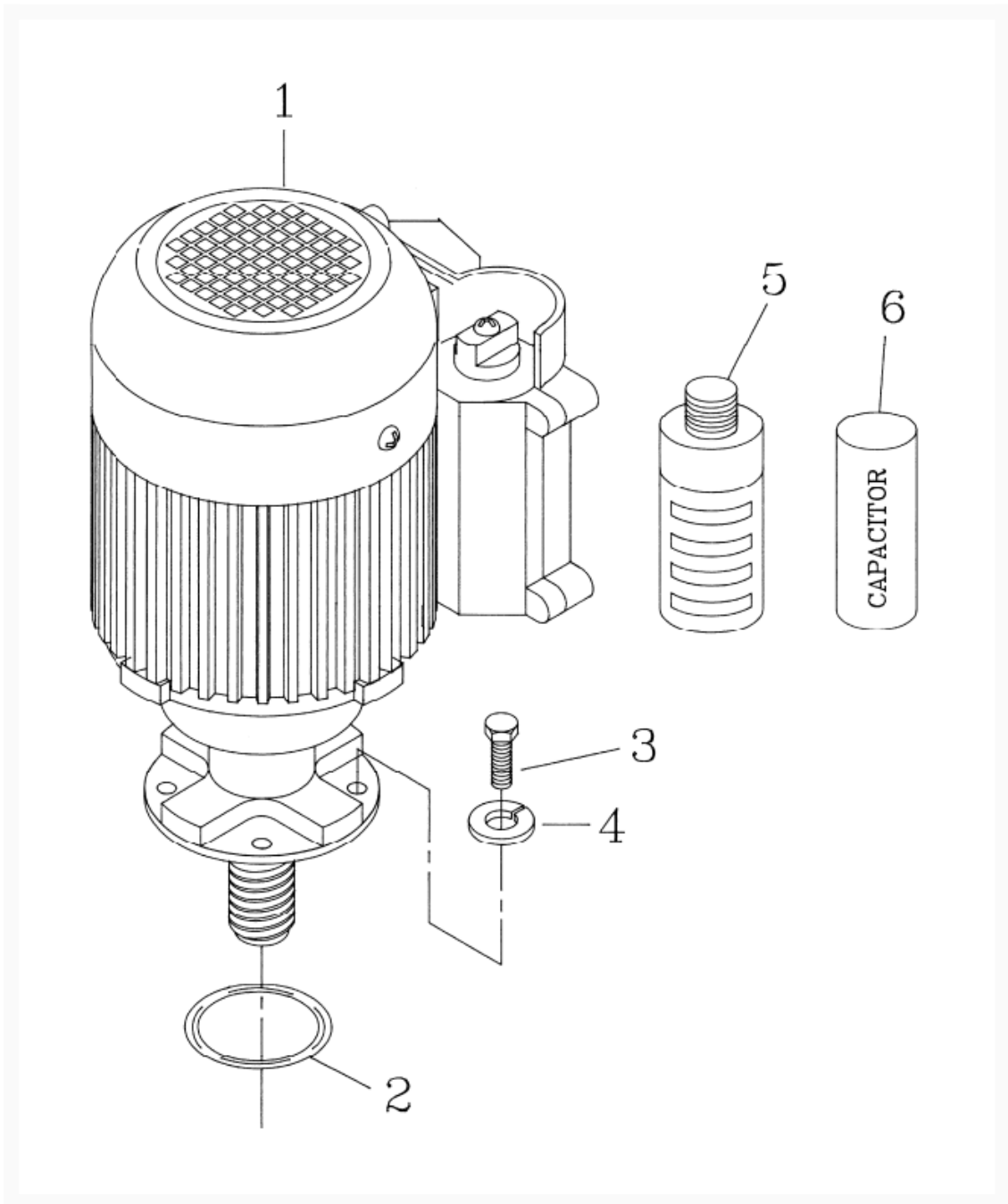




# PF-43 Motor Assembly

## Product Images

---



## Additional Information

---

Stock Number

1790811K-2

## Products in this set

---

