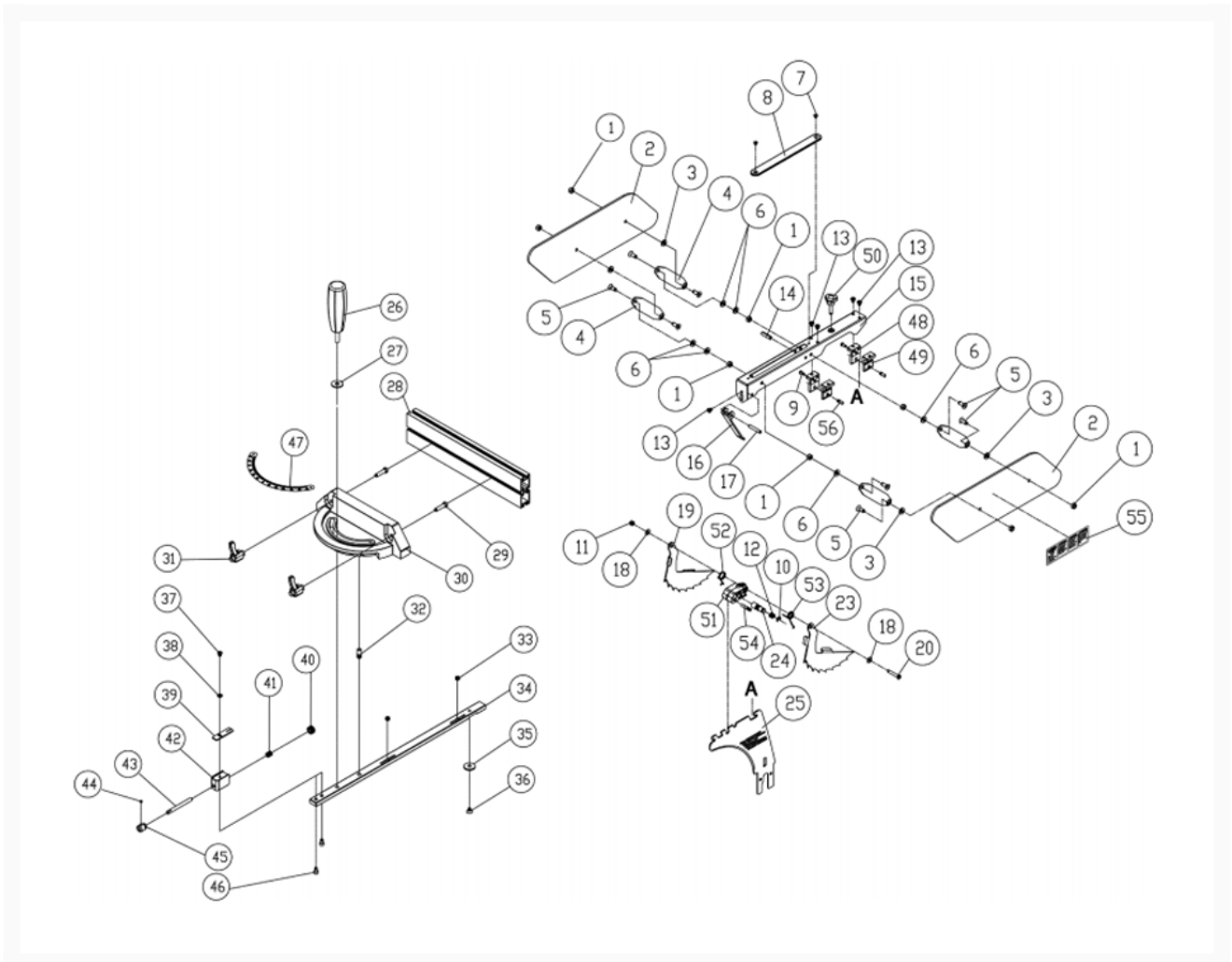




2000B - 5HP - 3PH - 50 in. Table Saw and Workbench - Blade Guard and Miter Gauge Assemblies

Product Images



Additional Information

Stock Number

PM25350WK-3

Products in this set

